



*Connectors for electrical construction and maintenance*

**Catalogue  
2005-2006**

# Index

## COPPER ALLOY MECHANICAL CONNECTORS

KPA Line	4
CD_BB Line	5
CD, CT, CE Lines	6
RD, RT Lines	7
CA, CD, CD AU Lines	8
CST_P Line	9
C, A Lines	10
K_C Lines	11
KS, KSU Lines	12

## COPPER COMPRESSION TERMINALS

YAV Line	13-16
YSV Line	17
YSM Line	18
YSV - YRV, YBV Lines	19
YAV_V Line	20
YSV_V Line	21
Hexagonal compression die chart for YAV - YSV / YSM	22
YAV_DM_KS Line	23-24
YAV_DM90KS Line	25
YAV_DM45KS Line	26
YSV_D Line	27
YAEV Line	28
YAEV, YSE Lines	29
CTCU Line	30
MTCU, CTCUQ Lines	31
BY Line	32-33
BYS Line	34
BYSM Line	35
BYWD, BYF Lines	36
YCA/YCA_TN Line	37-38
YCS / YCS_TN Line/T1	39

## ALUMINUM COMPRESSION CONNECTORS

YA_TN Line	40
YS_TN Line	41

## BIMETALLIC ALU-CU COMPRESSION CONNECTORS

CFR Line	42
CAU-Y4A, QAU-Y4A 90 Lines	43
RJAU-Y4RR Line	44

## COMPRESSION GROUNDING

YC / YC_TN Lines	45-46
YGHC Line	47

## HEAT SHRINK SLEEVES

HT 12 Line	48
HCL Line	49

## TOOLING

Compression tooling for Cu and Alu connectors	50-63
---	-------

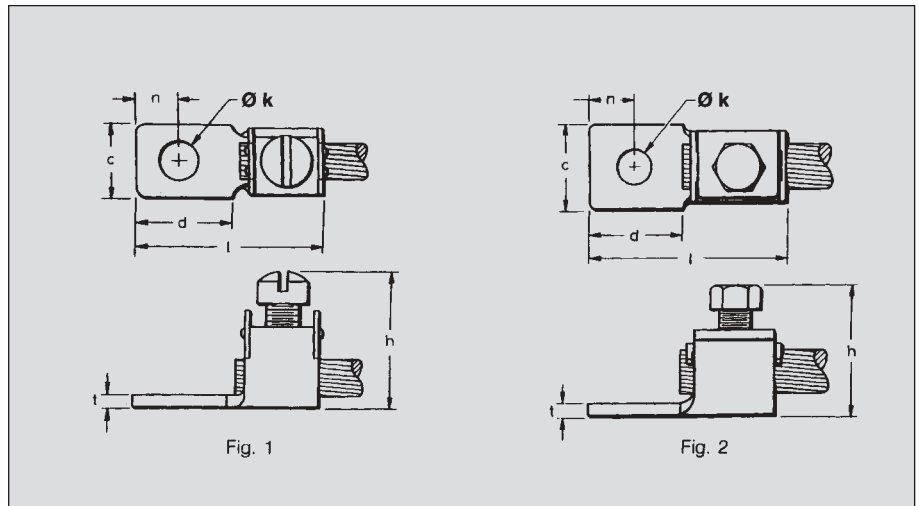
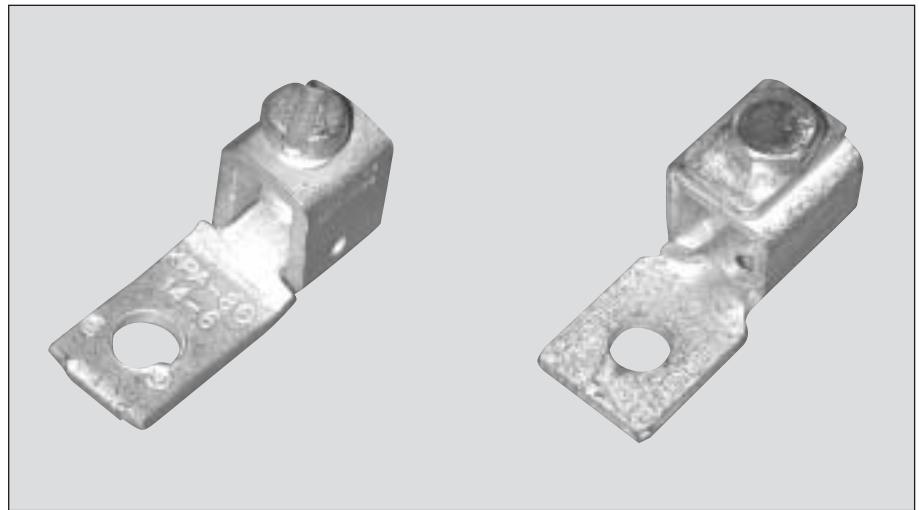
# Copper Alloy Mechanical Connectors


## KPA Line Scrulug®

Bolt type terminals

For copper cable

- Material: copper sheet, tin plated
- Hardware: Galv. steel

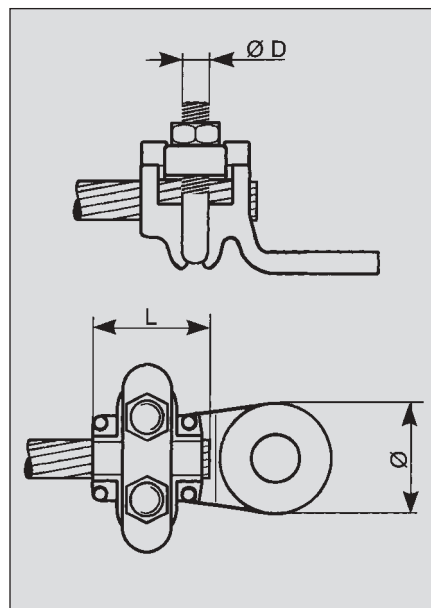
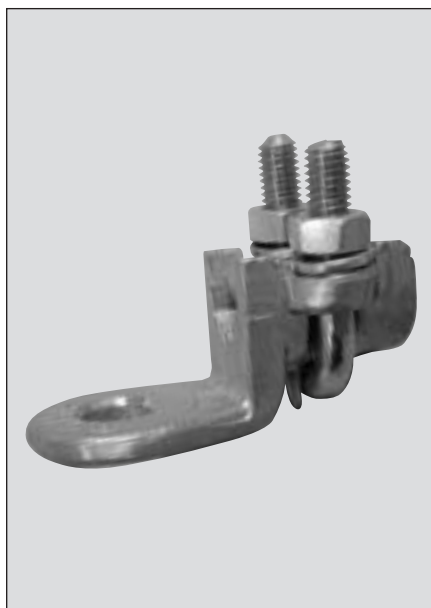


				Cat. No.	Fig.	Torque moment	Dimensions in mm						
							mm <sup>2</sup>		ømm		c	d	h (max)
Min	Max	Min	Max			Nm							
2,5	10	1,6	3,7	KPA8CTP	1	1,5	10	12	18	5	24	6	2
2,5	25	1,6	6,5	KPA4CTP	1	5,0	13	15	24	7	30	8	2
25,0	50	6,0	9,8	KPA25	2	20,0	19	21	32	8	46	10	2
50,0	95	8,5	13,5	KPA28	2	30,0	25	29	41	10	62	13	3
120,0	240	13,5	20,6	KPA34	2	45,0	35	35	62	13	84	19	6

# Copper Alloy Mechanical Connectors

## CD\_BB Line Mechanical terminals

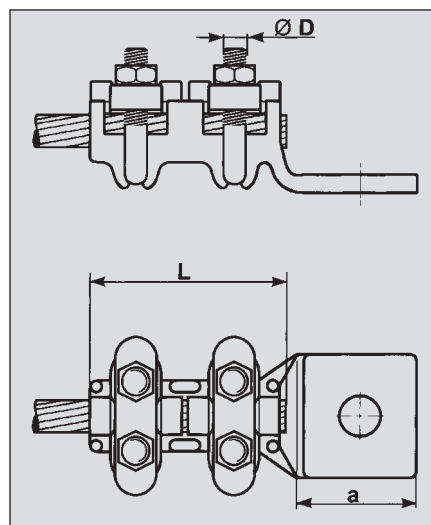
One U-bolt type terminals for copper conductors.  
Copper alloy terminals with round offset tongue.



mm <sup>2</sup>		Cat. No.	Ref. EDF	Tongue Stud		L	U-bolt	packing
Min	Max			Ø	size			
6	70	CD1070BB8	6706538	24	Ø8	23	1 x 5	25
6	70	CD1070BB10		24	Ø10	23	1 x 5	25
6	70	CD1070AB12		24	Ø12	23	1 x 5	10
6	70	CD1070BB12		24	Ø12	23	1 x 5	10
6	70	CD1070AB14		24	Ø14	23	1 x 5	10
6	70	CD1070BB14		24	Ø14	23	1 x 5	10
25	120	CD25120AB12	6706362	30	Ø12	28	1 x 8	10
25	120	CD25120BB12	6706546	30	Ø12	28	1 x 8	25
35	150	CD35150AB12	6706366	30	Ø12	28	1 x 6	10
35	150	CD35150BB12	6706554	30	Ø12	28	1 x 6	10
70	240	CD70240AB14		30	Ø14	33	1 x 8	10
70	240	CD70240BB14		30	Ø14	33	1 x 8	1

## CD Line Mechanical terminals

Copper alloy terminals with square tongue and two U-bolts.



mm <sup>2</sup>		Cat. No.	Ref. EDF	Tongue Stud		L	U-bolt	packing
Min	Max			a	size			
70	300	CD70300AB12		40	Ø12	66	2 x 8	1

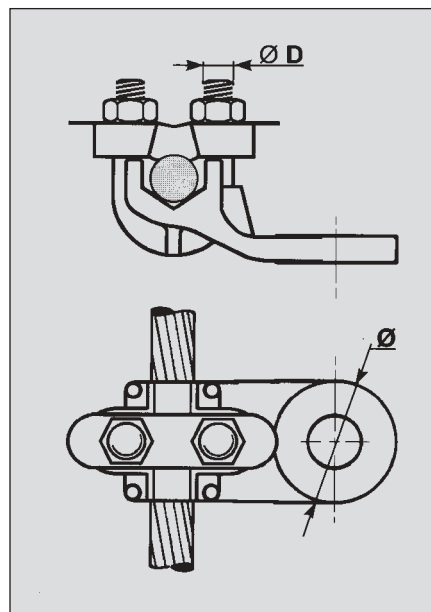
AB-: protected steel U-Bolt  
BB-: bronze U-Bolt

# Copper Alloy Mechanical Connectors

## CT Line

### Mechanical terminals

Copper alloy T-type terminals with round offset tongue and one U-bolts.

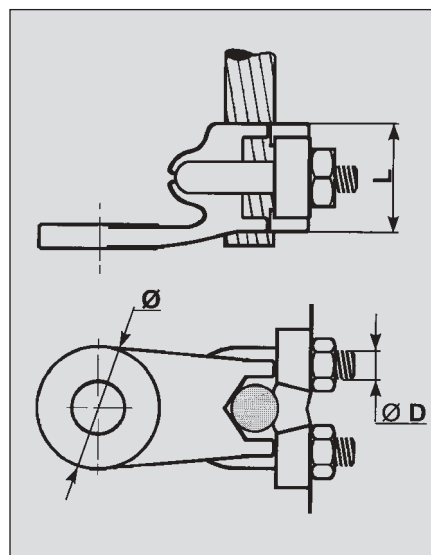


mm <sup>2</sup>		Cat. No.	Ref. EDF	Tongue Stud		L	U-bolt	packing
Min	Max			Ø	size			
6	70	CT1070AB8	6706224	24	Ø8	23	1 x 23	10
6	70	CT1070BB8	6706225	24	Ø8	23	1 x 23	10
25	120	CT25120AB12		30	Ø12	28	1 x 8	10
25	120	CT25120BB12	6706212	30	Ø12	28	1 x 8	10

## CE Line

### Mechanical terminals

Copper alloy right-angle terminals with round offset tongue and one U-bolts.



mm <sup>2</sup>		Cat. No.	Ref. EDF	Tongue Stud		L	U-bolt	packing
Min	Max			Ø	size			
6	70	CE1070BB8	6706577	24	Ø8	23	1 x 5	10
25	120	CE25120BB12	6706579	30	Ø12	28	1 x 8	10

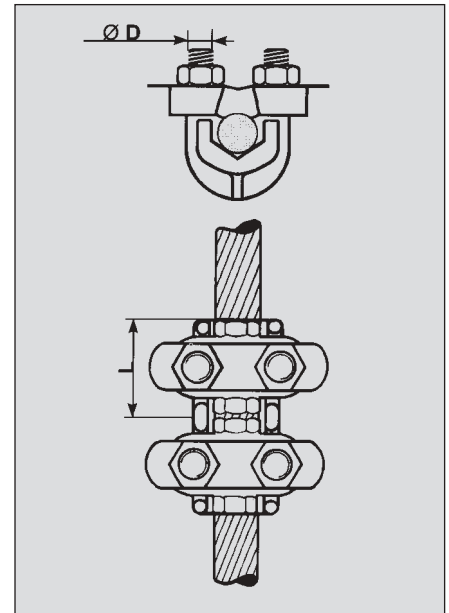
AB-: protected steel U-Bolt  
BB-: bronze U-Bolt



# Copper Alloy Mechanical Connectors

## RD Line Mechanical connectors

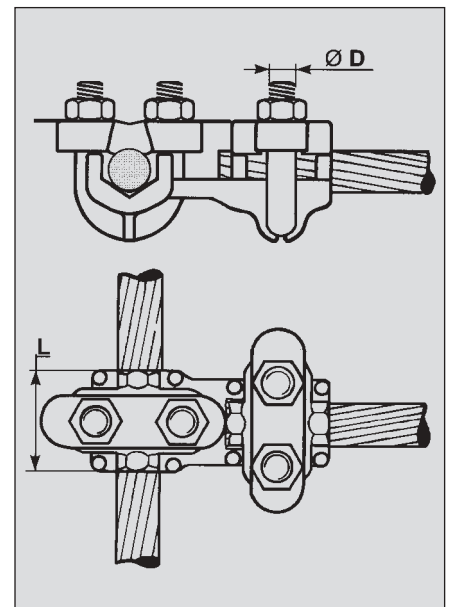
Copper alloy through connectors with U-bolts for copper conductors.



mm <sup>2</sup>		Cat. No.	Ref. EDF	L	U-bolt	packing
Min	Max					
6	70	RD1070B	6702565	2 x 5	23	10
25	120	RD25120B	6702568	2 x 8	28	10

## RT Line Mechanical connectors

Copper alloy T-connectors with U-bolts for copper conductors.



mm <sup>2</sup>		Cat. No.	Ref. EDF	L	U-bolt	packing
Min	Max					
6	70	RT1070A	6702382	2 x 5	23	10
6	70	RT1070B	6702407	2 x 5	23	10
25	120	RT1251200A	6702388	2 x 8	28	10
25	120	RT125120B	6702423	2 x 8	28	10

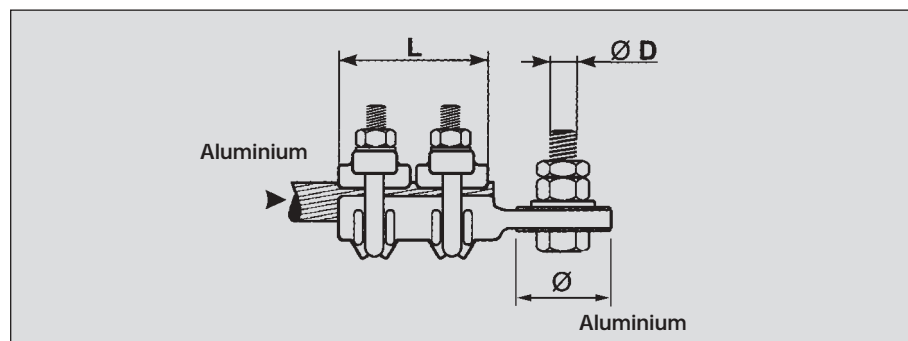
A-: protected steel U-Bolt  
B-: bronze U-Bolt



## CA Line

### Mechanical terminals For aluminium cables

In line terminals with square tongue to connect aluminium or aluminium alloy cable to flat aluminium.



mm <sup>2</sup>		Cat. No.	Ref. EDF	Tongue Stud		L	packing
Min	Max			Ø	hole		
6	70	CA11640	6723508	42	Ø14	54	3
54	148	CA15040	6723517	42	Ø14	64,5	3

## CD Line

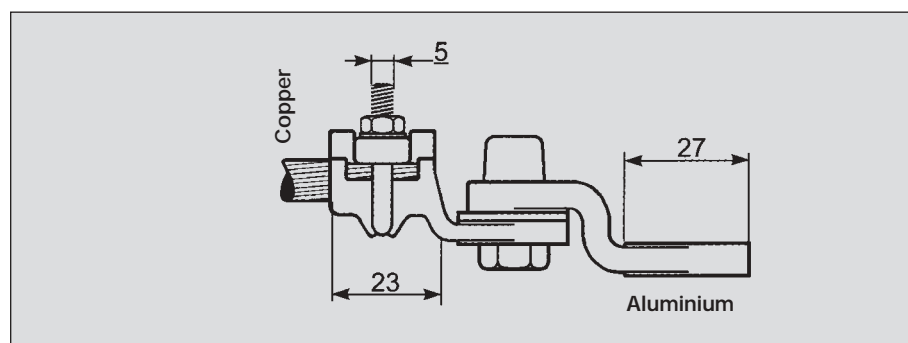
### Mechanical terminals For aluminium cables

Terminals with offset tongue for copper conductors (tongue aluminium - U-bolt bronze).

Cat. No. CD AU 670

#### Characteristics:

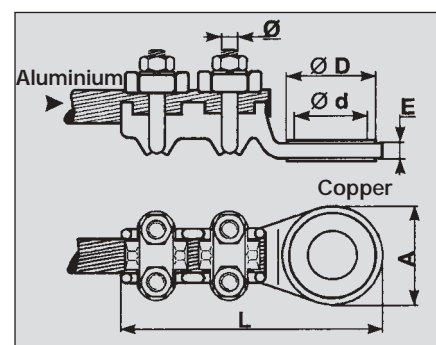
- section 6 - 70 mm<sup>2</sup>
- studhole Ø12 mm
- packing 3 pieces



## CDAU Line

### Mechanical terminals For aluminium cables

Terminals with offset tongue for aluminum conductors (tongue copper - U-bolt stainless steel).

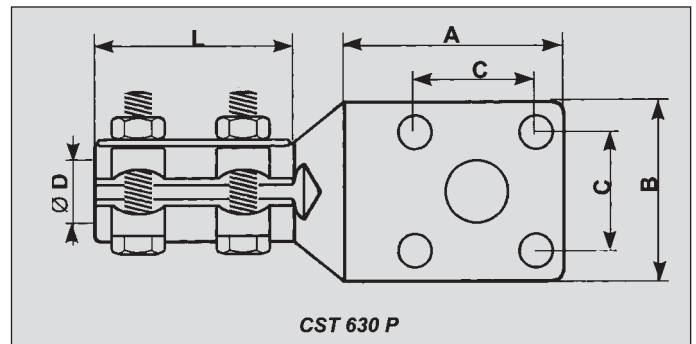
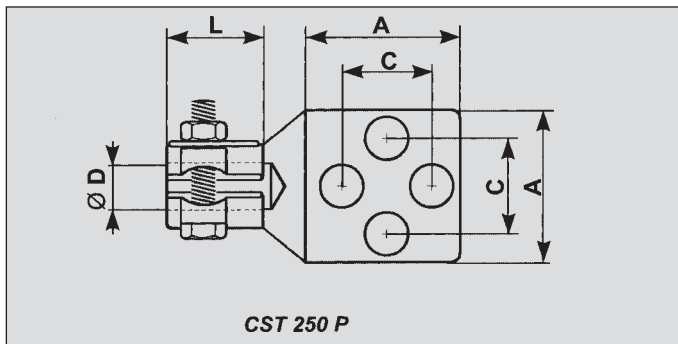


mm <sup>2</sup>		Cat. No.	ØD	Ød	A	E	L	U-bolt	packing
Min	Max								
22	54	CDAU2254	23	12,8	28	7,5	72	2 x 5	3
34	117	CDAU34117	25	12,8	30	9	92	2 x 6	3
93	148	CDAU93148	35	12,8	40 x 40	10	118	2 x 8	3

# Copper Alloy Mechanical Connectors

## CST\_P Line Mechanical terminals

Terminals for transformer stud  
EDF Standard (HN 52-S-20).

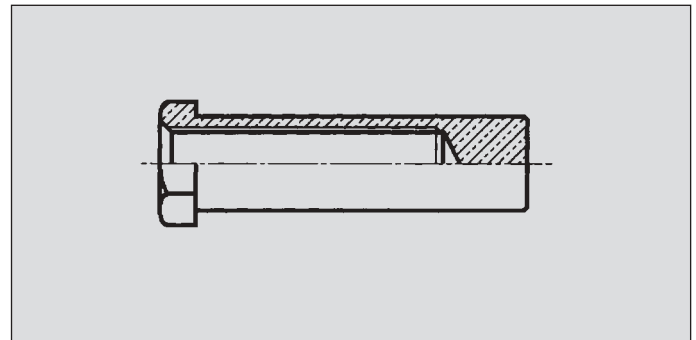


Cat. No.	Ref. EDF	Rating (A)	Stud		Tongue			Thickness	packing
			ØD	L	A	C	B		
CST 250 P	6735007	250	M12	30	40	25		6	1
CST 630 P	6735015	630	Ø16	55	60	33	50	8	1

### Reduction sleeve for CST 630 P

Cat. No. DRM12

packing: 1





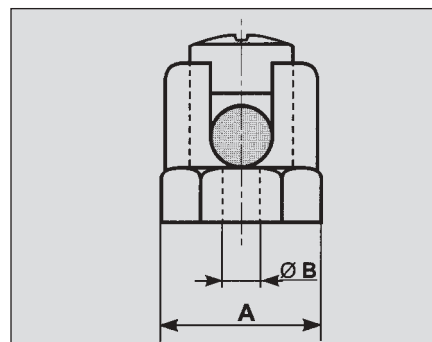
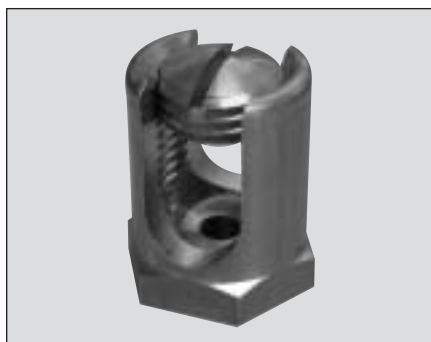
# Copper Alloy Mechanical Connectors

## C Line Mechanical terminals

Wire support clamps made of brass

### Application

- Clamps for solid copper conductors

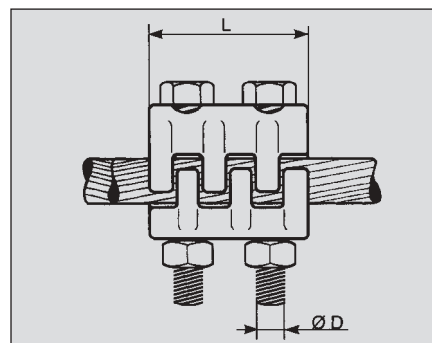
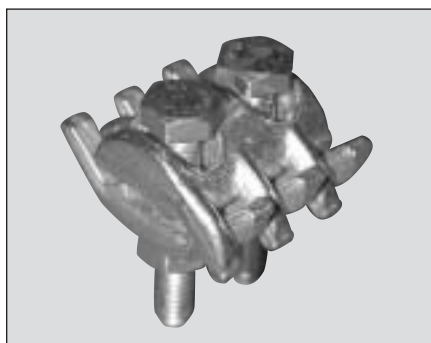


Capacity Ømm		Cat. No.	Ref. EDF	ØB	A	Mass (Kg)	packing
Min	Max						
3	6	C 16		M6	17,25	0,017	25
3	6	C 17		7x150	17,25	0,017	25
3	6	C 18		M8	17,25	0,017	25
5	8	C 26		M6	19,55	0,017	25
5	8	C 27	6752277	7x150	19,55	0,017	25
5	8	C 28	6752279	M8	19,55	0,017	25
7	10	C 36		M6	21,85	0,017	10
7	10	C 37		7x150	21,85	0,017	10
7	10	C 38		M8	21,85	0,017	10
8	12	C 46		M6	26	0,017	10
8	12	C 47		7x150	26	0,017	10
8	12	C 48	6752308	M8	26	0,017	10
10	15	C 56		M6	28	0,017	10
10	15	C 57		7x150	28	0,017	10
10	15	C 58		M8	28	0,017	10

For every type 3 options: fixing with screw or with threaded rod

## A Line Mechanical clamps

For copper cables



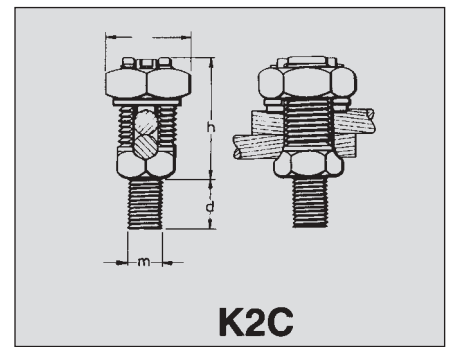
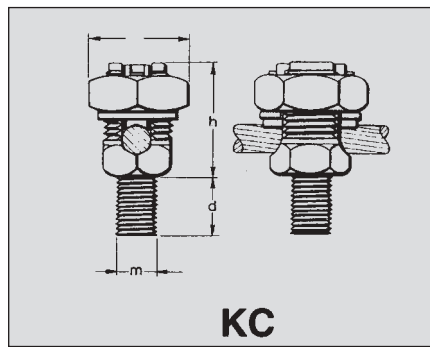
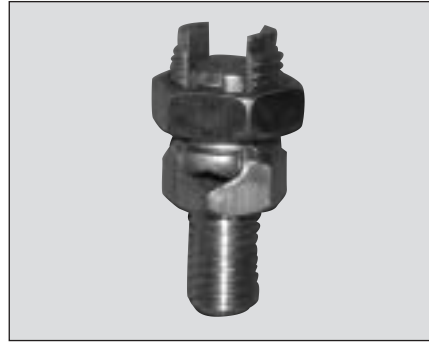
Cat. No.	Conductor (mm <sup>2</sup> )		Bolts (nb x ØD)	L (mm)	Qty
	Run	Tap			
A1 LA	1,5 to 18	4 to 18	1 x 5	17	10
A2 LA	10 to 38	10 to 38	1 x 6	20	
A3 RLA	10 to 50	10 to 50	2 x 6	28	
A4 LA	10 to 75	35 to 75	2 x 6	33	
A5 RLA	16 to 95	50 to 95	2 x 8	36	


# Copper Alloy Mechanical Connectors

## K\_C Line Servit post®

Tap-off connectors for copper  
cable to flat bar

- Material: cu alloy
- Hardware: bronze



	 mm <sup>2</sup>	m	Cat. No.	d	h
	4 - 6	1/4" - 20	KC15	12.7	15.8
2x	4 - 6	1/4" - 20	K2C15	12.7	22.2
	6 - 10	1/4" - 20	KC17	12.7	22.2
2x	6 - 10	1/4" - 20	K2C17	12.7	25.4
	6 - 16	5/16" - 18	KC20	15.8	22.2
2x	6 - 16	5/16" - 18	K2C20	15.8	28.6
	6 - 35	3/8" - 16	KC22	15.8	25.4
2x	6 - 35	3/8" - 16	K2C22	15.8	31.8
	10 - 50	3/8" - 16	KC23	15.8	25.4
2x	10 - 50	3/8" - 16	K2C23	15.8	35.0
	35 - 50	1/2" - 13	KC25	19.0	28.6
2x	35 - 50	1/2" - 13	K2C25	19.0	41.3
	35 - 70	1/2" - 13	KC26	19.0	35.0
2x	35 - 70	1/2" - 13	K2C26	19.0	47.6
	50 - 120	5/8" - 11	KC28	25.4	44.5
2x	50 - 120	5/8" - 11	K2C28	25.4	57.2
	50 - 185	5/8" - 11	KC31	25.4	57.2
2x	50 - 185	5/8" - 11	K2C31	25.4	73.0
	95 - 240	3/4" - 10	KC34	31.8	60.3
2x	95 - 240	3/4" - 10	K2C34	31.8	82.6

Other variations available on request.  
Hardware to be ordered separately

### Silicon-bronze hardware

m	Nut	Flat washer	Split lock-washer	Tooth lock-washer
1/4"	25 CHENBOX	25 FWBOX	25 SWBOX	25 NWBOX
5/16"	31 CHENBOX	31 FWBOX	31 SWBOX	31 NWBOX
3/8"	38 CHENBOX	38 FWBOX	38 SWBOX	38 NWBOX
1/2"	50 CHENBOX	50 FWBOX	50 SWBOX	50 NWBOX
5/8"	62 CHENBOX	62 FWBOX	62 SWBOX	62 NWBOX
3/4"	75 CHENBOX	75 FWBOX	75 SWBOX	75 NWBOX

# Copper Alloy Mechanical Connectors

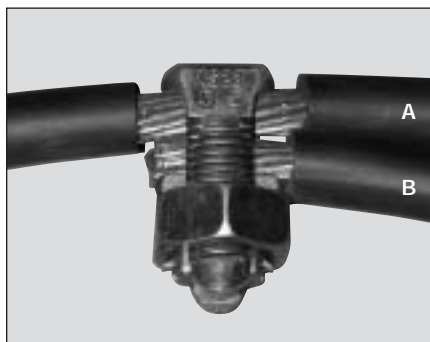
## KS Line

Servit®

Tap-off connectors

For copper cable

- Material: high strength copper alloy
- Hardware: bronze



A		B		Cat. No.	Torque moment Nm
mm <sup>2</sup>	Ømm	mm <sup>2</sup>	Ømm		
4 - 6	2,3 - 3,0	1,5 - 6	1,5 - 3,0	KS90	10
6 - 10	3,0 - 4,0	2,5 - 10	1,8 - 3,8	KS15	10
10 - 10	3,8 - 4,7	2,5 - 10	1,8 - 4,7	KS17	20
10 - 16	3,8 - 5,2	2,5 - 16	1,8 - 5,2	KS20	20
16 - 25	5,1 - 6,3	2,5 - 25	1,8 - 6,3	KS22	30
16 - 35	5,1 - 8,6	2,5 - 35	1,8 - 8,6	KS23	30
25 - 50	6,2 - 9,3	2,5 - 50	1,8 - 9,3	KS25	45
35 - 70	7,4 - 10,6	2,5 - 70	1,8 - 10,6	KS26	45
50 - 95	8,3 - 12,5	10 - 95	3,7 - 12,5	KS27	60
50 - 120	8,8 - 15,2	10 - 120	3,7 - 15,2	KS29	75
70 - 185	9,5 - 18,0	70 - 185	9,3 - 18,0	KS31	75
70 - 240	10,3 - 20,6	70 - 240	10,5 - 20,6	KS34	95
120 - 300	13,3 - 25,3	120 - 300	13,3 - 25,3	KS39	115
185 - 500	16,0 - 29,2	120 - 500	16,0 - 29,2	KS44	125

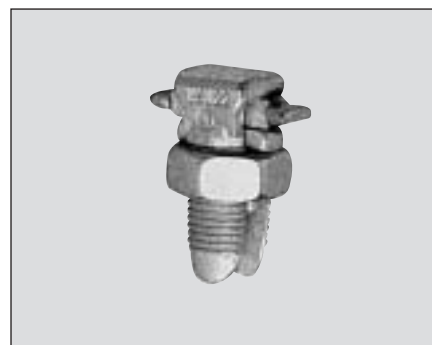
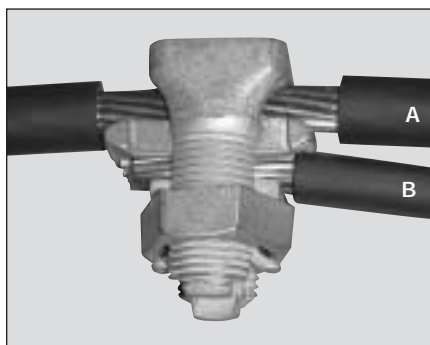
## KSU Line

Servit®

Tap-off connectors

For copper aluminum and  
aluminum to copper cable

- Provided with cable spacer
- Material: high strength copper alloy, tin plated
- Hardware: bronze



A		B		Cat. No.	Torque moment Nm
mm <sup>2</sup>	Ømm	mm <sup>2</sup>	Ømm		
4 - 10	2,3 - 4,0	4 - 10	2,3 - 4,0	KSU17	20
6 - 16	2,3 - 5,2	6 - 16	2,3 - 5,2	KSU20	20
6 - 25	2,3 - 6,3	6 - 25	2,3 - 6,3	KSU22	30
10 - 35	3,7 - 8,0	10 - 35	3,7 - 8,0	KSU23	30
35 - 50	7,4 - 9,4	6 - 50	6,0 - 9,4	KSU25	45
35 - 70	7,4 - 11,1	10 - 70	3,7 - 11,1	KSU26	45
50 - 95	8,8 - 12,5	10 - 95	3,7 - 12,5	KSU27	60
50 - 120	8,8 - 15,2	10 - 120	3,7 - 15,2	KSU29	75
50 - 185	9,0 - 18,0	25 - 185	6,3 - 18,0	KSU31	75
185 - 240	17,5 - 20,6	35 - 240	7,4 - 20,6	KSU34	95

Plastic covers for Servit® split bolts

Black colour - UV resistant

SC4	KS17 and KSU17
	KS20 and KSU20
SC2	KS22 and KSU22
	KS23 and KSU23
SC20	KS25 and KSU25
	KS26 and KSU26



# Copper Compression Connectors

## YAV Line Hylug®

Non-insulated copper tubular terminals 0,3 - 1000 mm<sup>2</sup> for stranded and flexible conductor

### Description

- Range of copper tube formed terminals taking wires from 0,3 - 1000 mm<sup>2</sup>

### Construction

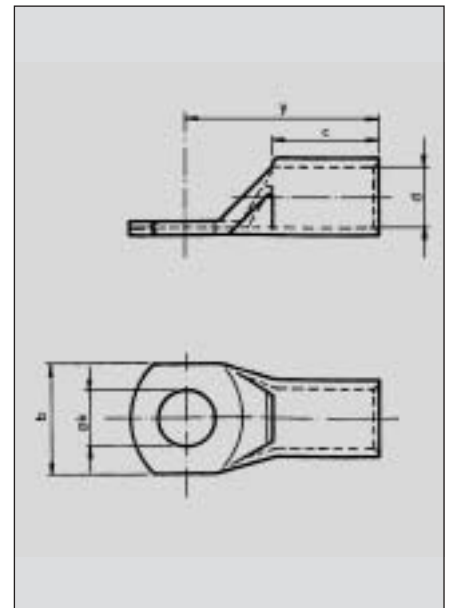
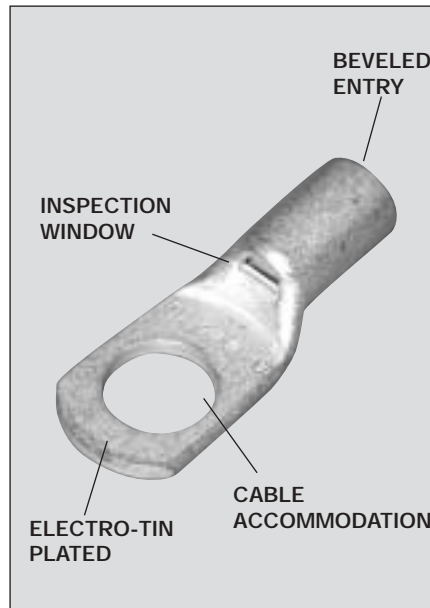
- Electrolytic copper tube, electro tinned

### Performance

- Heat resistant up to +125°C

### Tooling

- The indicated numbers in the tooling table refer to pages 48 - 63.



mm <sup>2</sup>	Stud size	Cat. No.	d	y	b	c	Øk	Pack Qty	Mechanical tools		Hydraulic tools					
									Tooling number	MRD29	Y500CT BCT500	Y35/Y35BH Y750/Y750BH BAT35/BAT750	Y644M			
0,3 - 1,2	3,0	YAV18T4	1,4	13,7	4,8	6,9	3,1	100	1 - 4A - 22							
	3,5	YAV18T5	1,4	15,5	6,1	6,9	3,7									
	4,0	YAV18T1	1,4	15,5	8,0	6,9	4,3									
	5,0	YAV18	1,4	15,5	8,0	6,9	5,1									
1,5 - 2,5	3,5	YAV025M35	2,3	13,7	6,0	6,9	3,7	100	1 - 4A - 22							
	4,0	YAV025M4	2,3	15,2	8,0	6,9	4,3									
	5,0	YAV025M5	2,3	15,2	8,0	6,9	5,3									
	6,0	YAV025M6	2,3	16,7	10,4	6,9	6,4									
	8,0	YAV14T3	2,3	17,9	11,1	6,9	8,4									
2,5 - 4	4,0	YAV04M4	2,6	15,2	6,9	6,9	4,3	100	1 - 4A - 22							
	5,0	YAV04M5	2,6	15,2	7,6	6,9	5,3									
	6,0	YAV04M6	2,6	16,7	9,1	6,9	6,4									
4 - 6	3,5	YAV06M35	3,3	17,9	7,0	9,5	3,7	50	1 - 2 - 4A 19 - 22							
	4,0	YAV06M4	3,3	19,4	8,0	9,5	4,3									
	5,0	YAV06M5	3,3	19,9	10,0	9,5	5,3									
	6,0	YAV06M6	3,3	20,9	11,0	9,5	6,4									
	8,0	YAV06M8	3,3	23,4	13,0	9,5	8,4									
Flex 6	10,0	YAV10T38	3,3	22,5	14,2	9,5	10,5	50	1 - 2 - 4A 19 - 22							
	4,0	YAV06FM4	3,8	18,1	8,0	9,9	4,3									
	5,0	YAV06FM5	3,8	19,1	9,7	9,9	5,3									
	6,0	YAV06FM6	3,8	20,1	11,0	9,9	6,4									
	8,0	YAV06FM8	3,8	22,1	13,0	9,9	8,4									
10	10,0	YAV06FM10	3,8	24,1	14,0	9,9	10,5	50	1 - 2 - 3 - 4A 5A - 6 - 8 - 13 19 - 22	50NC1	50PIO25C	W10C	WPOS	U10C	YPO1025C	DIELESS
	4,0	YAV10M4	4,6	19,4	10,3	12,0	4,3									
	5,0	YAV10M5	4,6	20,4	10,3	12,0	5,3									
	6,0	YAV10M6	4,6	21,4	11,1	12,0	6,4									
	8,0	YAV10M8	4,6	23,4	14,3	12,0	8,4									
	10,0	YAV10M10	4,6	25,4	14,3	12,0	10,5									
16	12,0	YAV10M12	4,6	28,4	18,5	12,0	12,3	50	2 - 3 - 5A - 6 8 - 13 - 19 - 22	50NC1	50PIO25C	W16C	WPOS	U16C	YPO1025C	DIELESS
	5,0	YAV16M5	5,7	22,9	12,7	14,0	5,3									
	6,0	YAV16M6	5,7	23,9	12,7	14,0	6,4									
	8,0	YAV16M8	5,7	25,9	15,0	14,0	8,4									
	10,0	YAV16M10	5,7	27,9	15,0	14,0	10,5									
25	12,0	YAV16M12	5,7	30,9	18,5	14,0	13,2	50	3 - 5A - 6 8 - 13 - 19	50NC2	50PIO25C	W25C	WPOS	U25C	YPO1025C	DIELESS
	5,0	YAV25M5	7,2	24,7	13,9	15,0	5,3									
	6,0	YAV25M6	7,2	25,7	13,9	15,0	6,4									
	8,0	YAV25M8	7,2	27,7	15,9	15,0	8,4									
	10,0	YAV25M10	7,2	29,7	15,9	15,0	10,5									
	12,0	YAV25M12	7,2	32,7	18,5	15,0	13,2									

- All compression dies with indenter. For hexagonal dies, see page 22.
- N= Nest die, I= Indenter

# Copper Compression Connectors

## YAV Line

Hylug®

Non-insulated copper tubular terminals 0,3 - 1000 mm<sup>2</sup>

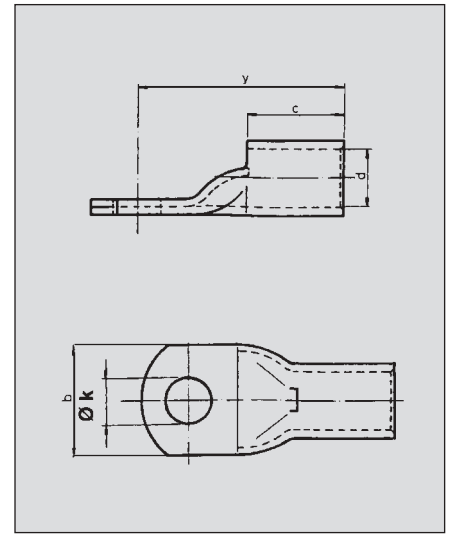
mm <sup>2</sup>	Stud size	Cat. No.	d	y	b	c	Øk	Pack Qty	Mechanical tools		Hydraulic tools					
									Tooling number	MRD29		Y500CT BCT500		Y35/Y35BH Y750/Y750BH BAT35/BAT750		Y644M
										N	I	N	I	N	I	
35	5	YAV35M5	8,5	27,4	15,9	17,0	5,3	50	6 - 8 - 13 - 19	50NC2	50P35-70C	W35C	WPQS	U35C	YPO3550C	DIELESS
	6	YAV35M6	8,5	28,4	15,9	17,0	6,4									
	8	YAV35M8	8,5	30,4	15,9	17,0	8,4									
	10	YAV35M10	8,5	32,4	15,9	17,0	10,5									
	12	YAV35M12	8,5	35,4	19,8	17,0	13,2									
50	5	YAV50M5	9,5	30,9	18,2	20,0	5,3	50	6 - 8 - 13 - 19	50NC2	50P35-70C	W50C	U50C	YPO3550C	DIELESS	
	6	YAV50M6	9,5	31,9	18,2	20,0	6,4									
	8	YAV50M8	9,5	33,9	18,2	20,0	8,4									
	10	YAV50M10	9,5	35,9	18,2	20,0	10,5									
	12	YAV50M12	9,5	38,9	19,8	20,0	13,2									
	14	YAV50M14	9,5	38,9	21,5	20,0	15,0									
	16	YAV50M16	9,5	41,9	22,4	20,0	17,0									
Flex 50	5	YAV50FM5	10,0	30,9	18,2	20,0	5,3	50	6 - 8 - 13 - 19	50NC2	50P35-70C	W50FC	U50FC	YPO3550C	DIELESS	
	6	YAV50FM6	10,0	31,9	19,5	20,0	6,4									
	8	YAV50FM8	10,0	33,9	19,5	20,0	8,4									
	10	YAV50FM10	10,0	35,9	19,5	20,0	10,5									
	12	YAV50FM12	10,0	38,9	21,8	20,0	13,2									
	14	YAV50FM14	10,0	38,9	21,8	20,0	15,0									
	16	YAV50FM16	10,0	41,9	22,4	20,0	17,0									
70	5	YAV70M5	11,3	32,4	21,4	21,0	5,3	25	6 - 8	50NC1-(2X)	50P6S	W70C	U70C	YPO70300C	DIELESS	
	6	YAV70M6	11,3	33,4	21,4	21,0	6,4									
	8	YAV70M8	11,3	35,4	21,4	21,0	8,4									
	10	YAV70M10	11,3	37,4	21,4	21,0	10,5									
	12	YAV70M12	11,3	40,4	22,4	21,0	13,2									
	14	YAV70M14	11,3	40,4	22,4	21,0	15,0									
	16	YAV70M16	11,3	43,4	22,4	21,0	17,0									
Flex 70	5	YAV70FM5	12,8	37,4	23,8	25,0	5,3	25	6 - 8	50NC1-(2X)	50P6S	W70FC	U70FC	YPO70300C	DIELESS	
	6	YAV70FM6	12,8	38,4	23,8	25,0	6,4									
	8	YAV70FM8	12,8	40,4	23,8	25,0	8,4									
	10	YAV70FM10	12,8	42,4	23,8	25,0	10,5									
	12	YAV70FM12	12,8	45,4	23,8	25,0	13,2									
	14	YAV70FM14	12,8	45,4	23,8	25,0	15,0									
	16	YAV70FM16	12,8	48,4	23,8	25,0	17,0									
95	8	YAV95M8	13,4	41,4	25,0	25,0	8,4	25	8	50NC2-(2X)	50P95-120C	W95C	U95C	YPO70300C	DIELESS	
	10	YAV95M10	13,4	43,4	25,0	25,0	10,5									
	12	YAV95M12	13,4	46,4	25,0	25,0	13,2									
	14	YAV95M14	13,4	46,4	25,0	25,0	15,0									
	16	YAV95M16	13,4	49,4	25,0	25,0	17,0									
	8	YAV95FM8	14,2	41,4	25,0	25,0	8,4									
Flex 95	10	YAV95FM10	14,2	43,4	25,0	25,0	10,5	25	8	50NC2-(2X)	50P95-120C	W95FC	U95FC	YPO70300C	DIELESS	
	12	YAV95FM12	14,2	46,4	25,0	25,0	13,2									
	14	YAV95FM14	14,2	46,4	25,0	25,0	15,0									
	16	YAV95FM16	14,2	49,4	25,0	25,0	17,0									
	8	YAV120M8	15	44,4	29,0	27,0	8,4									25
10	YAV120M10	15	46,4	29,0	27,0	10,5										
12	YAV120M12	15	49,4	29,0	27,0	13,2										
14	YAV120M14	15	49,4	29,0	27,0	15,0										
16	YAV120M16	15	52,4	29,0	27,0	17,0										
20	YAV120M20	15	58,4	29,0	27,0	21,0										
Flex 120	8	YAV120FM8	15,9	44,4	29,0	27,0	8,4	25	8	50NC1-(2X)	50P95-120C	W120FC	U120FC	YPO70300C	DIELESS	
	10	YAV120FM10	15,9	46,4	29,0	27,0	10,5									
	12	YAV120FM12	15,9	49,4	29,0	27,0	13,2									
	14	YAV120FM14	15,9	49,4	29,0	27,0	15,0									
	16	YAV120FM16	15,9	52,4	29,0	27,0	17,0									
	20	YAV120FM20	15,9	58,4	29,0	27,0	21,0									

- All compression dies with indenter. For hexagonal dies, see page 22.
- N= Nest die, I= Indenter

# Copper Compression Connectors

## YAV Line Hylug®

Non-insulated copper tubular terminals 0,3 - 1000 mm<sup>2</sup>



mm <sup>2</sup>	Stud size	Cat. No.	d	y	b	c	Øk	Pack Qty	Hydraulic tools											
									Y500CT		Y35/Y35BH		Y644M	Y260DBHM		Y46		UK		
									BCT500		Y750/Y750BH			N	I	N	I	N	I	N
									N	I	N	I	Y22BH							
150	10	YAV150M10	16,5	52,3	30,4	27,0	10,5	10	W150C	WPO6S	U150C	26M30D	U150C							
	12	YAV150M12	16,5	55,3	30,4	27,0	13,2													
	14	YAV150M14	16,5	55,3	30,4	27,0	15,0													
	16	YAV150M16	16,5	58,3	30,4	27,0	17,0													
	20	YAV150M20	16,5	64,3	30,4	27,0	21,0													
Flex 150 UK	10	YAV150FM10	17,8	55,9	32,8	28,6	10,5	10	W150FC	WPO6S	U150FC	26M31D	U150FC							
	12	YAV150FM12	17,8	58,9	32,8	28,6	13,2													
	14	YAV150FM14	17,8	58,9	32,8	28,6	15,0													
	16	YAV150FM16	17,8	61,9	32,8	28,6	17,0													
	20	YAV150FM20	17,8	67,9	32,8	28,6	21,0													
185	10	YAV185M10	18,4	61,8	35,7	30,2	10,5	10			26M31D	U185C	26P30-34C	U185C						
	12	YAV185M12	18,4	64,8	35,7	30,2	13,2													
	14	YAV185M14	18,4	64,8	35,7	30,2	15,0													
	16	YAV185M16	18,4	67,8	35,7	30,2	17,0													
	20	YAV185M20	18,4	73,8	35,7	30,2	21,0													
Flex 185 UK	10	YAV185FM10	19,4	61,8	35,7	30,2	10,5	10			26M32D	U185FC	26P30-34C	U185FC	PUADP1 + YPO70300C					
	12	YAV185FM12	19,4	64,8	35,7	30,2	13,2													
	14	YAV185FM14	19,4	64,8	35,7	30,2	15,0													
	16	YAV185FM16	19,4	67,8	35,7	30,2	17,0													
	20	YAV185FM20	19,4	73,8	35,7	30,2	21,0													
240	10	YAV240M10	21,2	68,2	39,6	34,9	10,5	10			26M34D	U240C	26P36C	U240C	PUADP1 + YPO70300C					
	12	YAV240M12	21,2	71,2	39,6	34,9	13,2													
	14	YAV240M14	21,2	71,2	39,6	34,9	15,0													
	16	YAV240M16	21,2	74,2	39,6	34,9	17,0													
	20	YAV240M20	21,2	80,2	39,6	34,9	21,0													
Flex 240 UK	10	YAV240FM10	22,0	73,4	41,0	36,0	10,5	10			26M35BD	U240FC	26P36C	U240FC	PUADP1 + YPO70300C					
	12	YAV240FM12	22,0	76,4	41,0	36,0	13,2													
	14	YAV240FM14	22,0	76,4	41,0	36,0	15,0													
	16	YAV240FM16	22,0	79,4	41,0	36,0	17,0													
	20	YAV240FM20	22,0	85,4	41,0	36,0	21,0													
300	12	YAV300M12	23,4	77,3	43,0	43,0	13,2	10			26M36D	U300C	26P36C	U300C	PUADP1 + YPO70300C					
	14	YAV300M14	23,4	78,3	43,0	43,0	15,0													
	16	YAV300M16	23,4	80,3	43,0	43,0	17,0													
	20	YAV300M20	23,4	86,3	43,0	43,0	21,0													
	Flex 300 UK	12	YAV300FM12	24,2	81,4	45,0	43,0													13,2
14	YAV300FM14	24,2	82,4	45,0	43,0	15,0														
16	YAV300FM16	24,2	84,4	45,0	43,0	17,0														
20	YAV300FM20	24,2	90,4	45,0	43,0	21,0														

- All compression dies with indenter. For hexagonal dies, see page 22.
- Y260DBHM takes U-Dies with adaptor 26UADP
- Y46 takes U-Dies with adaptor PUADP
- Y22BH takes U-Dies with adaptor 22UADP
- N= Nest die, I= Indenter



# Copper Compression Connectors

## YAV Line

Hylug®

Non-insulated copper tubular terminals 0,3 - 1000 mm<sup>2</sup>

mm <sup>2</sup>	Stud size	Cat. No.	d	y	b	c	Øk	Pack Qty	Hydraulic tools																																		
									Y644M	Y260DBHM		Y46		UK-Y22BH		Y450DBHM																											
350 (700 MCM)	12	YAV350M12	25,0	77,3	46,0	43,0	13,2	DIELESS	N	I	N	I	N	I	N	I																											
	16	YAV350M16	25,0	80,3	46,0	43,0	17,0																																				
	20	YAV350M20	25,0	86,3	46,0	43,0	21,0																																				
375 (750 MCM)	12	YAV375M12	26,2	81,3	48,0	43,0	13,2										26M38D	26M39D	26P-36C	P38D	P39D	ED38BD	ED39BD	EDP1 + Y20PC10	45M38D	45M39D																	
	16	YAV375M16	26,2	84,3	48,0	43,0	17,0																																				
	20	YAV375M20	26,2	90,3	48,0	43,0	21,0																																				
400	12	YAV400M12	26,7	81,3	49,5	43,0	13,2																				26M40D	26M41D	26P40-45C	P40D	P41D	ED40BD	ED41BD	EDP1 + Y20PC10	45M40D	45M41D							
	14	YAV400M14	26,7	82,3	49,5	43,0	15,0																																				
	16	YAV400M16	26,7	84,3	49,5	43,0	17,0																																				
	20	YAV400M20	26,7	90,3	49,5	43,0	21,0																																				
Flex 400 UK	12	YAV400FM12	27,2	83,6	51,0	44,0	13,2	26M44D	26M45D	26P40-45C	P44D	P45D	ED44BD	ED453BD	EDP1 + Y20PC11	45M44D																					45M45D						
	14	YAV400FM14	27,2	84,6	51,0	44,0	15,0																																				
	16	YAV400FM16	27,2	86,6	51,0	44,0	17,0																																				
	20	YAV400FM20	27,2	92,6	51,0	44,0	21,0																																				
500	12	YAV500M12	29,8	87,8	55,1	47,7	13,2										P44PR	P44D	P44D	ED44BD	ED44BD	EDP1 + Y20PC11	45M44D	45M44D	45P40-45C																		
	14	YAV500M14	29,8	88,8	55,1	47,7	15,0																																				
	16	YAV500M16	29,8	90,8	55,1	47,7	17,0																																				
	20	YAV500M20	29,8	96,8	55,1	47,7	21,0																																				
630	16	YAV630M16	33,3	96,7	61,8	51,0	17,0																			HEAD	HEAD	HEAD	ED46BD	ED47BD	EDP2 + Y48PO2	45M46D	45M47D	45P46-48C									
	20	YAV630M20	33,3	102,7	61,8	51,0	21,0																																				
Flex 630 UK	22	YAV630FM20	34,4	104,6	63,0	53,0	21,0	HEAD	HEAD	HEAD	ED46BD	ED47BD	EDP2 + Y48PO2	45M46D	45M47D	45P46-48C																											
	22	YAV630FM22	34,4	106,6	63,0	53,0	23,8																																				
800 (1500 MCM)	20	YAV800M20*	38,0	113,6	67,5	52,0	21,0																												HEAD	HEAD	HEAD	ED46BD	ED47BD	EDP2 + Y48PO2	45M46D	45M47D	45P46-48C
800 (1750 MCM)	20	YA47L*	39,6	116,4	67,5	52,0	21,0																																				
1000 (2000 MCM)	20	YA48L*	42,2	127,2	77,7	55,0	21,0																																				

- \* Other stud sizes - on request. Undrilled palms - on request
- All compression dies with indenter. For hexagonal dies, see page 22.
- Y260DBHM takes U-Dies with adaptor 26UADP
- Y46 takes U-Dies with adaptor PUADP1

- Y22BH takes U-Dies with adaptor 22UADP
- Y450DBHM takes U-Dies with adaptor 45UADP
- N= Nest die, I= Indenter



# Copper Compression Connectors

## YSV Line Hylink®

### Non-insulated copper tubular butt-splices

#### Description

- Range of copper tube splices joining wires from 0,3 - 1000 mm<sup>2</sup>

#### Construction

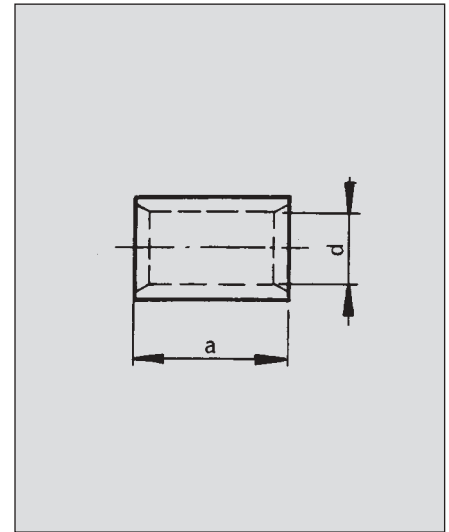
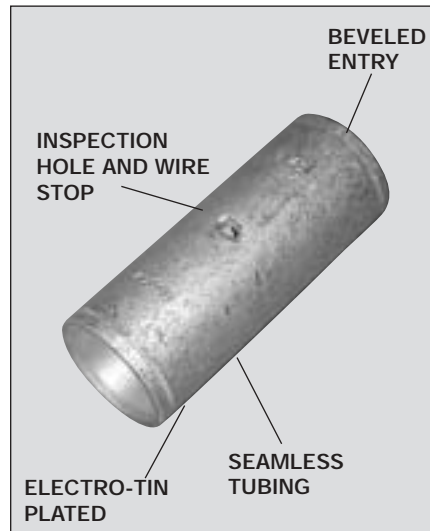
- Electrolytic copper tube, electro tinned

#### Performance

- Heat resistant up to +125°C

#### Tooling

- The indicated numbers in the tooling table refer to pages 48 - 63.



mm <sup>2</sup>	Cat. No.	d	a	Pack Qty	Mechanical tools		Hydraulic tools							
					Tooling number	MRD29	Y500CT BCT500	Y35/Y35BH Y750/Y750BH BAT35/BAT750	Y644M	Y260 DBHM	Y46	UK Y22BH	Y450 DBHM	
0,3-1,2	YSV18	1,4	15,7	100	1 - 4A - 22									
1,5-2,5	YSV14	2,3	16,1	100										
4-6	YSV10	3,3	19,1	100										
Flex 6	YSV06F	3,8	19,1	100	1 - 2 - 19 - 22									
10	YSV10M	4,6	26,0	50	1 - 2 - 3 - 4A - 5A - 6 - 8 - 13 - 19 - 22	50-DIES	W-DIES	U-DIES	DIELESS	U-DIES WITH ADAPTOR 26UADP	U-DIES WITH ADAPTOR PUADP1	U-DIES WITH ADAPTOR 22UADP	U-DIES WITH ADAPTOR 53UADP	
16	YSV16	5,7	30,0	50	2 - 3 - 5A - 6 - 8 - 13 - 19 - 22									
25	YSV25M	7,2	32,0	50	3 - 5A - 6 - 8 - 13 - 19 - 22									
35	YSV35	8,5	36,0	50	6 - 8 - 13 - 19									
50	YSV50	9,5	42,0	50										
Flex 50	YSV50F	10,0	42,0	50	6 - 8									
70	YSV70	11,3	45,0	25										
Flex 70	YSV70F	12,8	45,0	25										
95	YSV95	13,4	53,0	25	8									
Flex 95	YSV95F	14,2	53,0	25										
120	YSV120	15,0	57,0	25										
Flex 120	YSV120F	15,9	57,0	25										
150	YSV150	16,5	60,0	10										
Flex 150 UK	YSV150F	17,8	60,0	10										
185	YSV185	18,4	64,0	10										
Flex 185 UK	YSV185F	19,4	64,0	10										
240	YSV240	21,2	73,0	10										
Flex 240 UK	YSV240F	22,0	73,0	10										
300	YSV300	23,4	73,0	10										
Flex 300 UK	YSV300F	24,2	73,0	10										
350 (700 MCM)	YSV350	25,0	73,0	10										
375 (750 MCM)	YSV375	26,2	86,0	10										
400	YSV400	26,7	86,0	10										
Flex 400 UK	YSV400F	27,2	98,0	10										
500	YSV500	29,8	98,0	10										
630	YSV630	33,3	104,0	10										
Flex 630 UK	YSV630F	34,4	104,0	10										
800 (1500 MCM)	YSV800F	36,6	114,0	10										
800 (1750 MCM)	YS47L	39,6	114,0	10										
1000 (2000 MCM)	YS48L	42,2	114,0	10										

- All compression dies with indenter
- For die references, please consult pages 13, 14, 15 and 16, copper terminals
- For hexagonal dies, see page 22

# Copper Compression Connectors

## YSM Line Hylink®

Non-insulated copper tubular parallel splices

### Description

- Range of copper tube splices for overlap parallel connection of wires from 6 - 120 mm<sup>2</sup>

### Construction

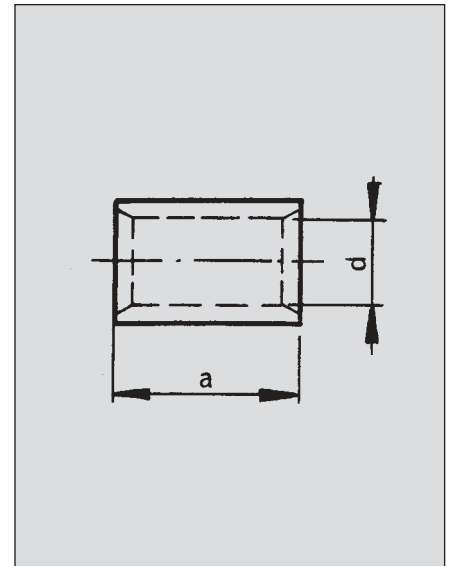
- Electrolytic copper tube - electro tinned

### Performance

- Heat resistant up to +125°C

### Tooling

- The indicated numbers in the tooling table refer to pages 48 - 63.



Total mm <sup>2</sup>	Cat. No.	d	a	Pack Qty	Mechanical tools		Hydraulic tools								
					Tooling number	MRD29	Y500CT BCT500	Y35/Y35BH Y750/Y750BH BAT35/BAT750	Y644M	Y260 DBHM	Y46	UK Y22BH	Y450 DBHM		
Flex 6	YSM6F	3,8	10,7	100	1 - 4A - 22										
10	YSM10M	4,6	10,7	50	1-2-3-4A-5A-6-8-13-19-22	50-DIES	W-DIES	3U-DIES	DIELESS	U-DIES WITH ADAPTOR 26UADP	U-DIES WITH ADAPTOR PUADP1	U-DIES WITH ADAPTOR 22UADP	U-DIES WITH ADAPTOR 53UADP		
16	YSM16	5,7	11,2	50	2-3-5A-6-8-13-19-22										
25	YSM25M	7,2	12,7	50	3-5A-6-8-13-19-22										
35	YSM35	8,5	15,8	50	6 - 8 - 13 - 19										
50	YSM50	9,5	15,8	50	6 - 8 - 13 - 19										
Flex 50	YSM50F	10,0	15,8	50	6 - 8										
70	YSM70	11,3	17,5	25	6 - 8										
Flex 70	YSM70F	12,8	20,6	25	8										
95	YSM95	13,4	20,6	25	8										
Flex 95	YSM95F	14,2	20,6	25	8										
120	YSM120	15,0	22,4	25	8										
Flex 120	YSM120F	15,9	22,4	25	8										

- All compression dies with indentor
- For die references, please consult pages 13, 14, copper terminals
- For hexagonal dies, see page 22

# Copper Compression Connectors

## YSV - YRV Lines Hyreducer®

Non-insulated copper tubular reduces

### Description

- Range of copper tube splices for joining wires from 1,5 - 35 mm<sup>2</sup>

### Construction

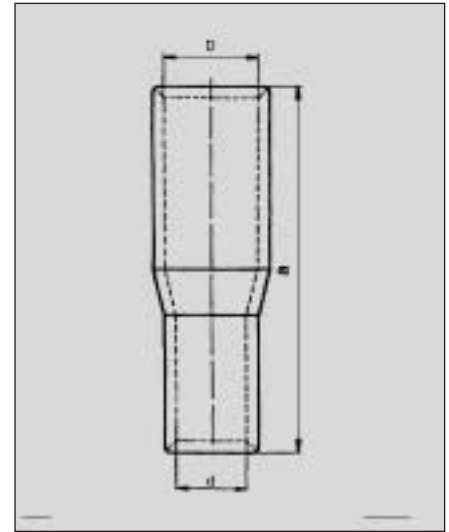
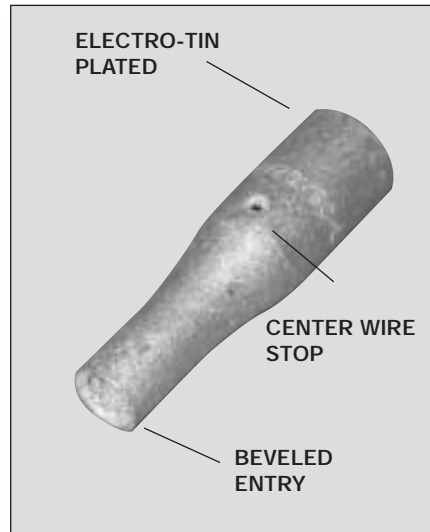
- Electrolytic copper tube - electro tinned

### Performance

- Heat resistant up to +125°C

### Tooling

- The indicated numbers in the tooling table refer to pages 48 - 63.



mm <sup>2</sup>	Cat. No.	Dimensions in mm			Pack Qty	Mechanical tools Tooling number
		D	d	a		
1,5 - 2,5	YSV1418	2,3	1,4	16,3	100	1 - 4A - 22
2,5 - 4,0	YSV1214G1	2,6	2,3	21,6	100	1 - 4A - 22
4 - 6,0	YSV1214G2	3,3	2,3	21,1	50	1 - 4A - 22
6F - 10,0	YRV8CV14-L	4,6	2,3	30,2	50	1 - 4A - 22
6F - 10,0	YRV8CV10-L	4,6	3,3	30,2	50	1 - 2 - 4A - 22
16,0	YRV6CV10-L	5,7	3,3	32,5	50	2 - 22
16,0	YRV6CV8C-L	5,7	4,6	30,8	50	2 - 3 - 4 - 5A - 22
25,0	YRV4CV6C-L	7,2	5,7	32,3	50	3 - 4 - 5A - 6 - 13
35,0	YRV2CV6C-L	9,1	5,7	41,4	50	6 - 8 - 13

Hydraulic tools - also possible from 10 - 35 mm<sup>2</sup>

## YBV Line Hylug®

Flag type ring-tongue terminals

### Description

- Flag type terminals for copper wires from 25 to 50 mm<sup>2</sup>

### Construction

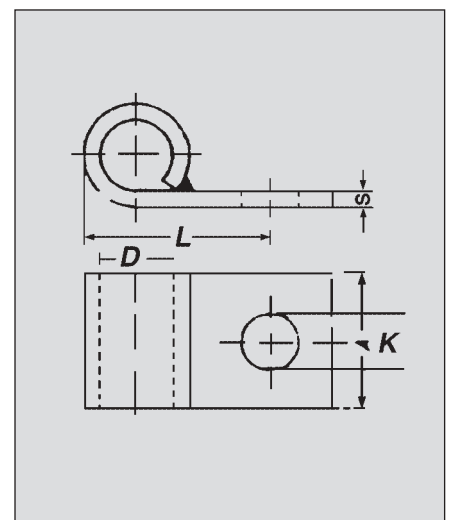
- Electrolytic copper sheet, tinplated

### Performance

- Heat resistant up to +125°C

### Tooling

- The indicated numbers in the tooling table refer to pages 48 - 63.



mm <sup>2</sup>	stud	Cat. No.	D	L	S	A	K	Tooling
25	M8	YBV25M8	7,0	23	1,5	18	8,4	Consult
35	M8	YBV35M8	8,5	23	1,7	20	8,4	
35	M10	YBV35M10	8,5	26	1,7	20	10,5	
50	M8	YBV50M8	10,5	30	2,0	23	8,4	
50	M10	YBV50M10	10,5	30	2,0	23	10,5	

# Copper Compression Connectors

## YAV\_V Line

Hylug®

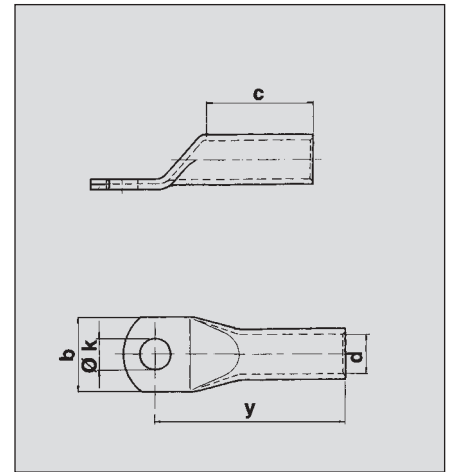
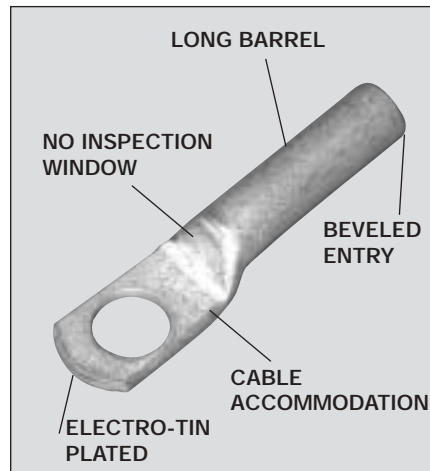
Non-insulated copper tubular terminals, long barrel

### Description

- Range of copper tube formed terminals for heavy duty applications, for stranded copper cables from 10 to 630 mm<sup>2</sup>

### Construction

- Electrolytic copper tube, electro tinned



mm <sup>2</sup>	Stud size	Cat. No.	d	y	b	c	Øk	Pack Qty	Mech. tools		Hydraulic tools				
									MRD29	Y500CT BCT500	Y35/Y35BH Y750/Y750BH BAT35/BAT750	Y644M	Y260DBHM	Y46	UK Y22BH
10	8	YAV10M8V	4,6	38,4	14,3	24,6	8,4	50	50-DIES	W-DIES	U-DIES	DIELESS	U-DIES WITH ADAPTOR 26UADP	U-DIES WITH ADAPTOR PUADP	U-DIES WITH ADAPTOR 22UADP
16	8	YAV16M8V	5,7	43,6	15,0	28,6	8,4	50							
25	14	YAV25M8V	7,2	45,5	15,9	29,0	8,4	50							
	16	YAV25M10V	7,2	47,5	15,9	29,0	10,5								
	20	YAV25M12V	7,2	50,5	18,5	29,0	13,2								
35	8	YAV35M8V	8,5	49,4	15,9	31,7	8,4	50							
	10	YAV35M10V	8,5	51,4	15,9	31,7	10,5								
	12	YAV35M12V	8,5	54,4	19,8	31,7	13,2								
50	8	YAV50M8V	9,5	54,3	18,2	36,0	8,4	50							
	10	YAV50M10V	9,5	56,3	18,2	36,0	10,5								
	12	YAV50M12V	9,5	59,3	19,8	36,0	13,2								
70	10	YAV70M10V	11,3	61,0	21,4	36,0	10,5	25							
	12	YAV70M12V	11,3	63,0	22,4	36,0	13,2								
	14	YAV70M14V	11,3	65,6	22,4	36,0	15,0								
	16	YAV70M16V	11,3	67,6	22,4	36,0	17,0								
95	10	YAV95M10V	13,4	68,6	25,0	42,0	10,5	25							
	12	YAV95M12V	13,4	71,6	25,0	42,0	13,2								
	14	YAV95M14V	13,4	73,2	25,0	42,0	15,0								
	16	YAV95M16V	13,4	75,2	25,0	42,0	17,0								
120	10	YAV120M10V	15,0	71,3	29,0	44,0	10,5	25							
	12	YAV120M12V	15,0	74,3	29,0	44,0	13,2								
	14	YAV120M14V	15,0	75,9	29,0	44,0	15,0								
	16	YAV120M16V	15,0	77,9	29,0	44,0	17,0								
150	10	YAV150M10V	16,5	85,4	30,4	50,8	13,2	10							
	12	YAV150M12V	16,5	89,0	30,4	50,8	15,0								
	14	YAV150M14V	16,5	90,0	30,4	50,8	17,0								
	16	YAV150M16V	16,5	94,4	30,4	50,8	21,0								
185	12	YAV185M12V	18,4	88,6	35,7	52,0	13,2	10							
	14	YAV185M14V	18,4	92,2	35,7	52,0	15,0								
	16	YAV185M16V	18,4	93,2	35,7	52,0	17,0								
	20	YAV185M20V	18,4	94,4	35,7	52,0	21,0								
240	12	YAV240M12V	21,2	98,1	39,6	57,2	13,2	10							
	14	YAV240M14V	21,2	101,7	39,6	57,2	15,0								
	16	YAV240M16V	21,2	102,7	39,6	57,2	17,0								
	20	YAV240M20V	21,2	107,1	39,6	57,2	21,0								
300	14	YAV300M14V	23,4	107,7	43,0	68,0	15,0	10							
	16	YAV300M16V	23,4	109,7	43,0	68,0	17,0								
	20	YAV300M20V	23,4	111,3	43,0	68,0	21,0								
400	14	YAV400M14V	26,7	116,9	51,0	73,2	15,0	10							
	16	YAV400M16V	26,7	118,9	51,0	73,2	17,0								
	20	YAV400M20V	26,7	120,5	51,0	73,2	21,0								
500	16	YAV500M16V	29,8	123,7	55,1	76,2	17,0	10							
	20	YAV500M20V	29,8	125,3	55,1	76,2	21,0								
630	16	YAV630M16V	33,3	128,1	61,8	81,0	17,0	10							
	20	YAV630M20V	33,3	129,7	61,8	81,0	21,0								

- All compression dies with indentors - 2x compressions
- For die references, please consult pages 13, 14, 15 and 16 copper terminals
- For hexagonal dies, see page 22

# Copper Compression Connectors

## YSV\_V Line

Hylink®

Non-insulated copper tubular butt-splices, long barrel

### Description

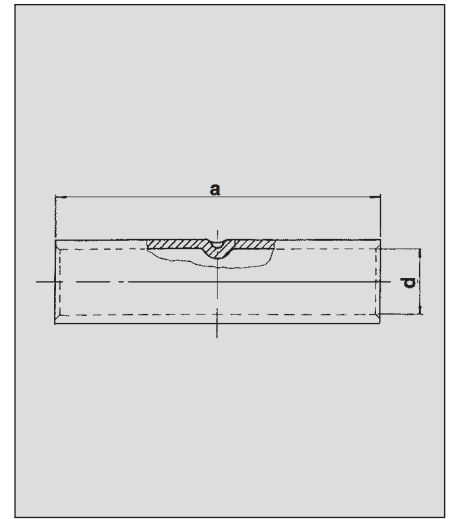
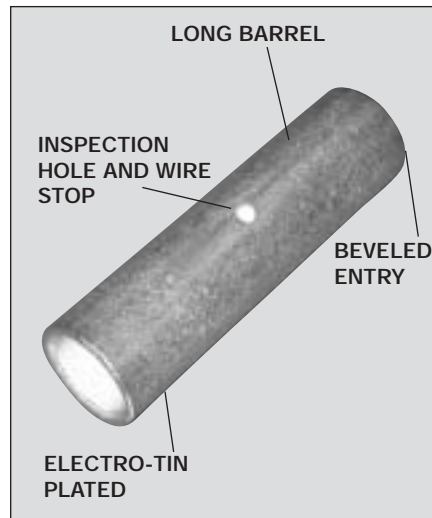
- Range of copper tube splices for heavy duty applications, for stranded copper cables from 10 to 630 mm<sup>2</sup>

### Construction

- Electrolytic copper tube, electro tinned

### Performance

- Heat resistant up to +125°C



### Tooling

- The indicated numbers in the tooling table refer to pages 48 - 63.

mm <sup>2</sup>	Cat. No.	d	a	Pack Qty	Mech. tools	Hydraulic tools					
					MRD29	Y500CT BCT500	Y35/Y35BH Y750/Y750BH BAT35/BAT750	Y644M	Y260DBHM	Y46	UK Y22BH
10	YSV10MV	4,6	45,0	50	50-DIES	W-DIES	U-DIES	DIELESS	U-DIES WITH ADAPTOR 26UADP	U-DIES WITH ADAPTOR PUADP	U-DIES WITH ADAPTOR 22UADP
16	YSV16V	5,7	48,0	50							
25	YSV25V	7,2	53,0	50							
35	YSV35V	8,5	57,0	50							
50	YSV50V	9,5	66,0	50							
70	YSV70V	11,3	66,0	25							
95	YSV95V	13,4	74,0	25							
120	YSV120V	15,0	82,0	25							
150	YSV150V	16,5	86,0	10							
185	YSV185V	18,4	100,0	10							
240	YSV240V	21,2	108,0	10	26-DIES	P-DIES	ED-DIES				
300	YSV300V	23,4	124,0	10							
400	YSV400V	26,7	124,0	10	26-DIES	P-DIES	ED-DIES				
500	YSV500V	29,8	130,0	10							
630	YSV630V	33,3	145,0	10							

- All compression dies with indentors - 2x compressions
- For die references, please consult pages 13, 14, 15 and 16 copper terminals
- For hexagonal dies, see page 22



# Copper Compression Connectors

## Hexagonal compression die chart for YAV - YSV / YSM

For copper tubular terminals and splices YAV  
- YSV / YSM. New and extended line of  
single groove, multi groove, hexagonal dies.

mm <sup>2</sup>	YAV YSV YSM CODING	OLD CODING	Mechanical tools			Hydraulic tools			
			Y16R FRAME	MRD26T	MRD29	Y500CT BCT500	Y35/Y35BH Y750/Y750BH BAT35/BAT750	Y260DBHM	Y450DBHM
0,3 - 1,2	18	18	Y16R4 HO6YAV						
1,5 - 2,5	025 / 04	14 / 12							
4 - 6	06	10							
Flex 6	06 F	9 C		20MH 06FTGT	50MH 06FTBT				
10	10	8 C		20MH 10TGT	50MH 7010TBT	W010BGE1T	U010BGE1T	U-DIES WITH ADAPTOR 26UADP	U-DIES WITH ADAPTOR 53UADP
16	16	6 C		20MH 16TGT	50MH 3516TBT	W016BGE1T	U016BGE1T		
25	25	4 C		20MH 25TGT	50MH 5025TBT	W025BGE1T	U025BGE1T		
35	35	2 C		20MH 35TGT	50MH 3516TBT	W035BGE1T	U035BGE1T		
50	50	1 C		20MH 50TGT	50MH 5025TBT	W050BGE1T	U050BGE1T		
Flex 50	50 F	1 CF		20MH 50FTGT	50MH 50FTBT	W050FBGE1T	U050FBGE1T		
70	70	25		20MH 70TGT	50MH 7010TBT	W070BGE1T	U070BGE1T		
Flex 70	70 F	26			50MH 70FTBT	W070FBGE1T	U070FBGE1T		
95	95	27			50MH 95TBT	W095BGE1T	U095BGE1T		
Flex 95	95 F	27 F			50MH 95FTBT	W095FBGE1T	U095FBGE1T		
120	120	-			50MH 120TBT	W120BGE1T	U120BGE1T		
Flex 120	120 F	28			50MH 120FTBT	W120FBGE1T	U120FBGE1T		
150	150	30				W150BGE1T	U150BGE1T		
Flex 150 UK	150 F	31				W150FBGE1T	U150FBGE1T		
185	185						U185BGE1T		
Flex 185 UK	185 F	32					U185FBGE1T		
240	240	34					U240BGE1T		
Flex 240 UK	240 F	35					U240FBGE1T		
300	300	36					U300BGE1T		
Flex 300 UK	300 F	37					U300FBGE1T		

# Copper Compression Connectors

## YAV\_DM\_KS Line

### Hylug® German Industrial Line

Non-insulated copper tubular terminals 6 - 400 mm<sup>2</sup>

#### Description

- Range of copper tube formed terminals taking wires from 6 - 400 mm<sup>2</sup>
- YAV-DM terminals with sight hole = omit "KS". Ex. YAV025DM8

#### Construction

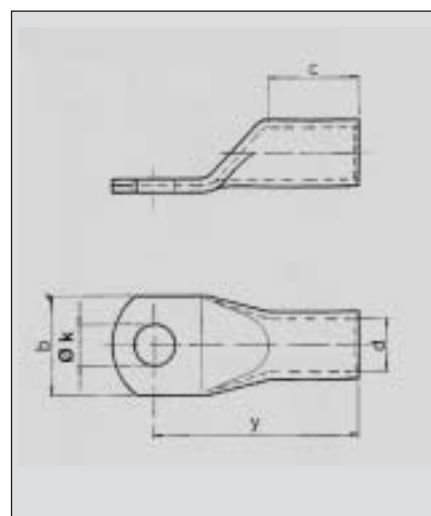
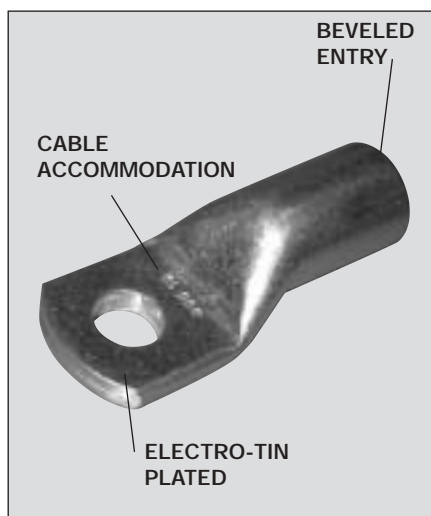
- Electrolytic copper tube, electro tinned

#### Performance

- Heat resistant up to +125°C

#### Tooling

- The indicated numbers in the tooling table refer to pages 48 - 63.



mm <sup>2</sup>	Stud Hole size	Cat. No.	d	y	b	c	Øk	Pack Qty	Mech. tools	Hydraulic tools	
									Tooling number	Y500CT	Y35/Y35BH
										BCT500	Y750/Y750BH
		Hexagonal		Hexagonal							
6	M5	YAV06DM5KS	3,5	20,5	10,0	9,0	5,3	100	16	W06DGE1T	
	M6	YAV06DM6KS	3,5	20,5	12,0	9,0	6,4				
	M8	YAV06DM8KS	3,5	23,0	15,0	9,0	8,4				
	M10	YAV06DM10KS	3,5	25,0	17,0	9,0	10,5				
	M12	YAV06DM12KS	3,5	26,0	19,0	9,0	13,2				
10	M5	YAV010DM5KS	4,5	22,5	12,0	10,0	5,3	100	16	W010DGE1T	U010DGE1T
	M6	YAV010DM6KS	4,5	22,5	12,0	10,0	6,4				
	M8	YAV010DM8KS	4,5	25,0	15,0	10,0	8,4				
	M10	YAV010DM10KS	4,5	27,0	17,0	10,0	10,5				
	M12	YAV010DM12KS	4,5	28,0	19,0	10,0	13,2				
16	M5	YAV016DM5KS	5,5	26,0	12,0	13,0	5,3	100	16 - 20	W016DGE1T	U016DGE1T
	M6	YAV016DM6KS	5,5	27,0	12,0	13,0	6,4				
	M8	YAV016DM8KS	5,5	29,0	15,0	13,0	8,4				
	M10	YAV016DM10KS	5,5	31,0	17,0	13,0	10,5				
	M12	YAV016DM12KS	5,5	32,5	19,0	13,0	13,2				
25	M5	YAV025DM5KS	7,0	30,0	14,0	15,0	5,3	100	16 - 20	W025DGE1T	U025DGE1T
	M6	YAV025DM6KS	7,0	30,0	14,0	15,0	6,4				
	M8	YAV025DM8KS	7,0	32,5	16,0	15,0	8,4				
	M10	YAV025DM10KS	7,0	34,5	18,0	15,0	10,5				
	M12	YAV025DM12KS	7,0	35,5	19,0	15,0	13,2				
	M14	YAV025DM14KS	7,0	36,5	21,0	15,0	15,0				
35	M6	YAV035DM6KS	8,5	32,5	17,0	17,0	6,4	100	16 - 20	W035DGE1T	U035DGE1T
	M8	YAV035DM8KS	8,5	35,0	17,0	17,0	8,4				
	M10	YAV035DM10KS	8,5	37,0	19,0	17,0	10,5				
	M12	YAV035DM12KS	8,5	38,0	21,0	17,0	13,2				
	M14	YAV035DM14KS	8,5	39,5	21,0	17,0	15,0				
	M16	YAV035DM16KS	8,5	41,0	26,0	17,0	17,0				
50	M6	YAV050DM6KS	10,0	37,0	20,0	19,0	6,4	100	16 - 20	W050DGE1T	U050DGE1T
	M8	YAV050DM8KS	10,0	37,0	20,0	19,0	8,4				
	M10	YAV050DM10KS	10,0	39,0	20,0	19,0	10,5				
	M12	YAV050DM12KS	10,0	40,0	23,0	19,0	13,2				
	M14	YAV050DM14KS	10,0	41,5	23,0	19,0	15,0				
	M16	YAV050DM16KS	10,0	43,0	26,0	19,0	17,0				
	M20	YAV050DM20KS	10,0	46,0	30,0	19,0	21,0				
70	M6	YAV070DM6KS	12,0	43,0	20,0	21,0	6,4	100	20	W070DGE1T	U070DGE1T
	M8	YAV070DM8KS	12,0	43,0	23,0	21,0	8,4				
	M10	YAV070DM10KS	12,0	45,0	23,0	21,0	10,5				
	M12	YAV070DM12KS	12,0	46,0	23,0	21,0	13,2				
	M14	YAV070DM14KS	12,0	47,5	23,0	21,0	15,0				
	M16	YAV070DM16KS	12,0	49,0	26,0	21,0	17,0				
	M20	YAV070DM20KS	12,0	52,0	30,0	21,0	21,0				

N= Nest die, I= Indentor

# Copper Compression Connectors

## YAV\_DM\_KS Line

Hylug®

Non-insulated copper tubular terminals

mm <sup>2</sup>	Stud Hole size	Cat. No.	d	y	b	c	Øk	Pack Qty	Mech. tools	Hydraulic tools	
									Tooling number	Y500CT	Y35/Y35BH
										BCT500	Y750/Y750BH
								Hexagonal	Hexagonal		
95	M8	YAV95DM8KS	13,5	48,0	26,0	25,0	8,4	50	20	W095DGE1T	U095DGE1T
	M10	YAV95DM10KS	13,5	48,0	26,0	25,0	10,5				
	M12	YAV95DM12KS	13,5	49,0	26,0	25,0	13,2				
	M14	YAV95DM14KS	13,5	50,2	26,0	25,0	15,0				
	M16	YAV95DM16KS	13,5	52,0	28,0	25,0	17,0				
	M20	YAV95DM20KS	13,5	58,0	36,0	25,0	21,0				
120	M8	YAV120DM8KS	15,0	51,0	28,0	26,0	8,4	50	20	W120DGE1T	U120DGE1T
	M10	YAV120DM10KS	15,0	51,0	28,0	26,0	10,5				
	M12	YAV120DM12KS	15,0	51,0	28,0	26,0	13,2				
	M14	YAV120DM14KS	15,0	52,0	28,0	26,0	15,0				
	M16	YAV120DM16KS	15,0	53,0	30,0	26,0	17,0				
	M20	YAV120DM20KS	15,0	59,0	36,0	26,0	21,0				
150	M8	YAV150DM8KS	16,5	58,0	31,0	30,0	8,4	50		W150DGE1T	U150DGE1T
	M10	YAV150DM10KS	16,5	58,0	31,0	30,0	10,5				
	M12	YAV150DM12KS	16,5	58,0	31,0	30,0	13,2				
	M14	YAV150DM14KS	16,5	58,0	31,0	30,0	15,0				
	M16	YAV150DM16KS	16,5	58,0	31,0	30,0	17,0				
	M20	YAV150DM20KS	16,5	64,0	36,0	30,0	21,0				
185	M10	YAV185DM10KS	19,0	65,0	35,0	30,0	10,5	50		W185DGE1T	U185DGE1T
	M12	YAV185DM12KS	19,0	65,0	35,0	30,0	13,2				
	M14	YAV185DM14KS	19,0	65,0	35,0	30,0	15,0				
	M16	YAV185DM16KS	19,0	65,0	35,0	30,0	17,0				
	M20	YAV185DM20KS	19,0	69,0	39,0	30,0	21,0				
240	M10	YAV240DM10KS	21,0	72,0	39,0	35,0	10,5	50			U240DGE1T
	M12	YAV240DM12KS	21,0	72,0	39,0	35,0	13,2				
	M14	YAV240DM14KS	21,0	72,0	39,0	35,0	15,0				
	M16	YAV240DM16KS	21,0	72,0	39,0	35,0	17,0				
	M20	YAV240DM20KS	21,0	72,0	39,0	35,0	21,0				
300	M12	YAV300DM12KS	23,4	87,0	43,0	44,0	13,2	25			U300DGE1T
	M14	YAV300DM14KS	23,4	87,0	43,0	44,0	15,0				
	M16	YAV300DM16KS	23,4	87,0	43,0	44,0	17,0				
	M20	YAV300DM20KS	23,4	87,0	43,0	44,0	21,0				
400	M12	YAV400DM12KS	26,7	90,0	49,0	44,0	13,2	20			
	M14	YAV400DM14KS	26,7	90,0	49,0	44,0	15,0				
	M16	YAV400DM16KS	26,7	90,0	49,0	44,0	17,0				
	M20	YAV400DM20KS	26,7	90,0	49,0	44,0	21,0				

# Copper Compression Connectors

## YAV\_DM\_90KS Line

### Hylug® German Industrial Line

Non-insulated copper tubular terminals 6 - 120 mm<sup>2</sup>

#### Description

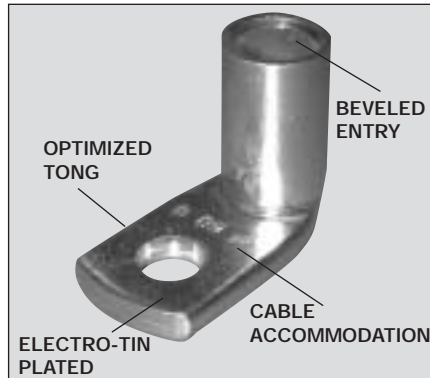
- Range of copper tube formed terminals taking wires from 6 - 400 mm<sup>2</sup>

#### Construction

- Electrolytic copper tube, electro tinned

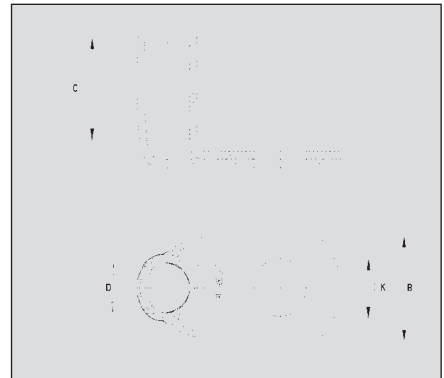
#### Performance

- Heat resistant up to +125°C



#### Tooling

- The indicated numbers in the tooling table refer to pages 48 - 63.



Stud Hole size mm <sup>2</sup>	Cat. No.	d	b	c	Øk	Pack Qty	Mech. tools	Hydraulic tools	
							Tooling number	Y500CT BCT500 Hexagonal	Y35/Y35BH Y750/Y750BH BAT35/BAT750 Hexagonal
6	M5 YAV06DM590KS	3,5	10,0	9,0	5,3	100	16	W06DGE1T	
	M6 YAV06DM690KS	3,5	12,0	9,0	6,4				
	M8 YAV06DM890KS	3,5	15,0	9,0	8,4				
	M10 YAV06DM1090KS	3,5	17,0	9,0	10,5				
	M12 YAV06DM1290KS	3,5	19,0	9,0	13,2				
10	M5 YAV010DM590KS	4,5	12,0	10,0	5,3	100	16	W010DGE1T	U010DGE1T
	M6 YAV010DM690KS	4,5	12,0	10,0	6,4				
	M8 YAV010DM890KS	4,5	15,0	10,0	8,4				
	M10 YAV010DM1090KS	4,5	17,0	10,0	10,5				
	M12 YAV010DM1290KS	4,5	19,0	10,0	13,2				
16	M5 YAV016DM590KS	5,5	12,0	13,0	5,3	100	16 - 20	W016DGE1T	U016DGE1T
	M6 YAV016DM690KS	5,5	12,0	13,0	6,4				
	M8 YAV016DM890KS	5,5	15,0	13,0	8,4				
	M10 YAV016DM1090KS	5,5	17,0	13,0	10,5				
	M12 YAV016DM1290KS	5,5	19,0	13,0	13,2				
25	M5 YAV025DM590KS	7,0	14,0	15,0	5,3	100	16 - 20	W025DGE1T	U025DGE1T
	M6 YAV025DM690KS	7,0	14,0	15,0	6,4				
	M8 YAV025DM890KS	7,0	16,0	15,0	8,4				
	M10 YAV025DM1090KS	7,0	18,0	15,0	10,5				
	M12 YAV025DM1290KS	7,0	19,0	15,0	13,2				
	M14 YAV025DM1490KS	7,0	21,0	15,0	15,0				
35	M6 YAV035DM690KS	8,5	17,0	17,0	6,4	100	16 - 20	W035DGE1T	U035DGE1T
	M8 YAV035DM890KS	8,5	17,0	17,0	8,4				
	M10 YAV035DM1090KS	8,5	19,0	17,0	10,5				
	M12 YAV035DM1290KS	8,5	21,0	17,0	13,2				
	M14 YAV035DM1490KS	8,5	21,0	17,0	15,0				
	M16 YAV035DM1690KS	8,5	26,0	17,0	17,0				
50	M6 YAV050DM690KS	10,0	20,0	19,0	6,4	100	16 - 20	W050DGE1T	U050DGE1T
	M8 YAV050DM890KS	10,0	20,0	19,0	8,4				
	M10 YAV050DM1090KS	10,0	20,0	19,0	10,5				
	M12 YAV050DM1290KS	10,0	23,0	19,0	13,2				
	M14 YAV050DM1490KS	10,0	23,0	19,0	15,0				
	M16 YAV050DM1690KS	10,0	26,0	19,0	17,0				
70	M6 YAV070DM690KS	12,0	20,0	21,0	6,4	100	20	W070DGE1T	U070DGE1T
	M8 YAV070DM890KS	12,0	23,0	21,0	8,4				
	M10 YAV070DM1090KS	12,0	23,0	21,0	10,5				
	M12 YAV070DM1290KS	12,0	23,0	21,0	13,2				
	M14 YAV070DM1490KS	12,0	23,0	21,0	15,0				
	M16 YAV070DM1690KS	12,0	26,0	21,0	17,0				
95	M8 YAV95DM890KS	13,5	26,0	25,0	8,4	50	20	W095DGE1T	U095DGE1T
	M10 YAV95DM1090KS	13,5	26,0	25,0	10,5				
	M12 YAV95DM1290KS	13,5	26,0	25,0	13,2				
	M14 YAV95DM1490KS	13,5	26,0	25,0	15,0				
	M16 YAV95DM1690KS	13,5	28,0	25,0	17,0				
120	M8 YAV120DM890KS	15,0	28,0	26,0	8,4	50	20	W120DGE1T	U120DGE1T
	M10 YAV120DM1090KS	15,0	28,0	26,0	10,5				
	M12 YAV120DM1290KS	15,0	28,0	26,0	13,2				
	M14 YAV120DM1490KS	15,0	28,0	26,0	15,0				
	M16 YAV120DM1690KS	15,0	30,0	26,0	17,0				
	M20 YAV120DM2090KS	15,0	36,0	26,0	21,0				

# Copper Compression Connectors

## YAV\_DM\_45KS Line

### Hylug® German Industrial Line

Non-insulated copper tubular terminals 6 - 120 mm<sup>2</sup>

#### Description

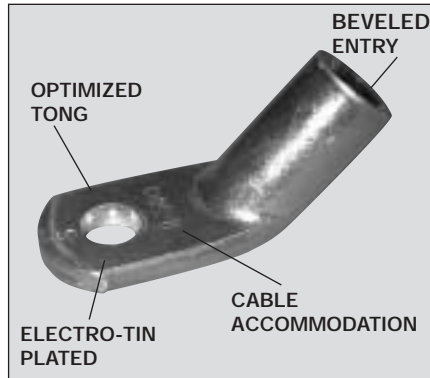
- Range of copper tube formed terminals taking wires from 6 - 400 mm<sup>2</sup>

#### Construction

- Electrolytic copper tube, electro tinned

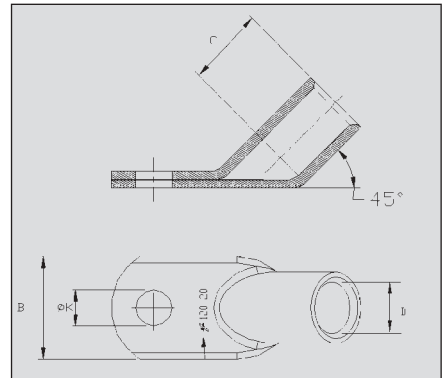
#### Performance

- Heat resistant up to +125°C



#### Tooling

- The indicated numbers in the tooling table refer to pages 48 - 63.



Stud Hole size mm <sup>2</sup>	Cat. No.	d	b	c	Øk	Pack Qty	Mech. tools	Hydraulic tools		
							Tooling number	Y500CT BCT500	Y35/Y35BH Y750/Y750BH BAT35/BAT750	
								Hexagonal	Hexagonal	
6	M5	YAV06DM545KS	3,5	10,0	9,0	5,3	100	16	W06DGE1T	
	M6	YAV06DM645KS	3,5	12,0	9,0	6,4				
	M8	YAV06DM845KS	3,5	15,0	9,0	8,4				
	M10	YAV06DM1045KS	3,5	17,0	9,0	10,5				
	M12	YAV06DM1245KS	3,5	19,0	9,0	13,2				
10	M5	YAV010DM545KS	4,5	12,0	10,0	5,3	100	16	W010DGE1T	U010DGE1T
	M6	YAV010DM645KS	4,5	12,0	10,0	6,4				
	M8	YAV010DM845KS	4,5	15,0	10,0	8,4				
	M10	YAV010DM1045KS	4,5	17,0	10,0	10,5				
	M12	YAV010DM1245KS	4,5	19,0	10,0	13,2				
16	M5	YAV016DM545KS	5,5	12,0	13,0	5,3	100	16 - 20	W016DGE1T	U016DGE1T
	M6	YAV016DM645KS	5,5	12,0	13,0	6,4				
	M8	YAV016DM845KS	5,5	15,0	13,0	8,4				
	M10	YAV016DM1045KS	5,5	17,0	13,0	10,5				
	M12	YAV016DM1245KS	5,5	19,0	13,0	13,2				
25	M5	YAV025DM545KS	7,0	14,0	15,0	5,3	100	16 - 20	W025DGE1T	U025DGE1T
	M6	YAV025DM645KS	7,0	14,0	15,0	6,4				
	M8	YAV025DM845KS	7,0	16,0	15,0	8,4				
	M10	YAV025DM1045KS	7,0	18,0	15,0	10,5				
	M12	YAV025DM1245KS	7,0	19,0	15,0	13,2				
35	M6	YAV035DM645KS	8,5	17,0	17,0	6,4	100	16 - 20	W035DGE1T	U035DGE1T
	M8	YAV035DM845KS	8,5	17,0	17,0	8,4				
	M10	YAV035DM1045KS	8,5	19,0	17,0	10,5				
	M12	YAV035DM1245KS	8,5	21,0	17,0	13,2				
	M14	YAV035DM1445KS	8,5	21,0	17,0	15,0				
50	M6	YAV050DM645KS	10,0	20,0	19,0	6,4	100	16 - 20	W050DGE1T	U050DGE1T
	M8	YAV050DM845KS	10,0	20,0	19,0	8,4				
	M10	YAV050DM1045KS	10,0	20,0	19,0	10,5				
	M12	YAV050DM1245KS	10,0	23,0	19,0	13,2				
	M14	YAV050DM1445KS	10,0	23,0	19,0	15,0				
70	M6	YAV070DM645KS	12,0	20,0	21,0	6,4	100	20	W070DGE1T	U070DGE1T
	M8	YAV070DM845KS	12,0	23,0	21,0	8,4				
	M10	YAV070DM1045KS	12,0	23,0	21,0	10,5				
	M12	YAV070DM1245KS	12,0	23,0	21,0	13,2				
	M14	YAV070DM1445KS	12,0	23,0	21,0	15,0				
95	M8	YAV095DM845KS	13,5	26,0	25,0	8,4	50	20	W095DGE1T	U095DGE1T
	M10	YAV095DM1045KS	13,5	26,0	25,0	10,5				
	M12	YAV095DM1245KS	13,5	26,0	25,0	13,2				
	M14	YAV095DM1445KS	13,5	26,0	25,0	15,0				
	M16	YAV095DM1645KS	13,5	28,0	25,0	17,0				
120	M8	YAV120DM845KS	15,0	28,0	26,0	8,4	50	20	W120DGE1T	U120DGE1T
	M10	YAV120DM1045KS	15,0	28,0	26,0	10,5				
	M12	YAV120DM1245KS	15,0	28,0	26,0	13,2				
	M14	YAV120DM1445KS	15,0	28,0	26,0	15,0				
	M16	YAV120DM1645KS	15,0	30,0	26,0	17,0				
	M20	YAV120DM2045KS	15,0	36,0	26,0	21,0				

# Copper Compression Connectors

## YSV\_D Hylug® German Industrial Line

Non-insulated copper tubular  
butt-splices

### Description

- Range of copper tube splices joining wires from 6 - 400 mm<sup>2</sup>

### Construction

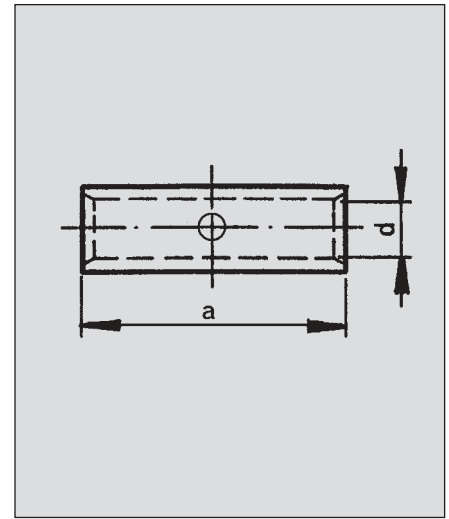
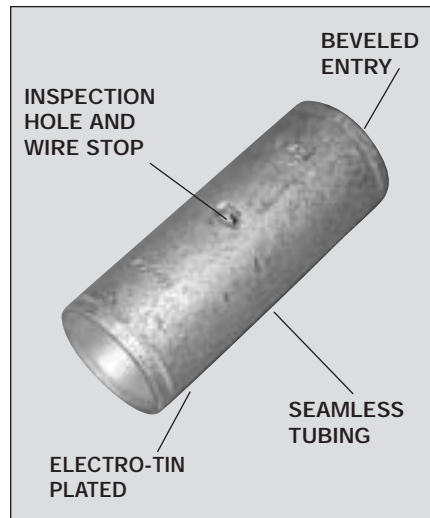
- Electrolytic copper tube, electro tinned

### Performance

- Heat resistant up to +125°C

### Tooling

- The indicated numbers in the tooling table refer to pages 48 - 63.



mm <sup>2</sup>	Cat. No.	d	a	b	Weight (Kg/100)	Pack Qty	Mechanical tools		Hydraulic tools		
							Tooling number	MRD29	Y500CT BCT500	Y35/Y35BH Y750/Y750BH BAT35/BAT750	Y260DBHM
6	YSV06D	3,5	25,0	10,0	0,520	100	16				
10	YSV010D	4,5	30,0	12,0	0,600	100	16	50-DIES	W-DIES (See YAV_D Line)	U-DIES (See YAV_D Line)	U-DIES WITH ADAPTOR 26UADP (See YAV_D Line)
16	YSV016D	5,5	35,0	14,0	1,020	100	16 - 20				
25	YSV025D	7,0	40,0	16,0	1,430	100	16 - 20				
35	YSV035D	8,5	45,0	18,0	2,250	100	16 - 20				
50	YSV050D	10,0	50,0	22,0	3,380	100	16 - 20				
70	YSV070D	12,0	55,0	24,0	4,900	100	20				
95	YSV095D	13,5	60,0	26,0	6,000	50	20				
120	YSV120D	15,0	65,0	28,0	7,000	50	20				
150	YSV150D	16,5	70,0	30,0	8,300	50					
185	YSV185D	19,4	75,0	33,0	12,000	25					
240	YSV240D	21,2	85,0	36,0	13,900	25					
300	YSV300D	23,4	100,0	44,0	22,000	25					
400	YSV400D	26,7	100,0	44,0	29,900	10					



# Copper Compression Connectors

## YAEV Line Insulug®

Polyamide insulated copper terminals and splices (0,3 - 120 mm<sup>2</sup>)

### Description

- Range of copper tube terminals and splices with polyamide insulation, taking wires from 0,3 - 120 mm<sup>2</sup>

### Construction

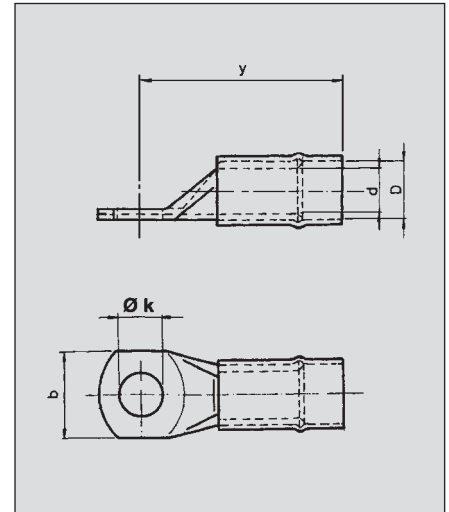
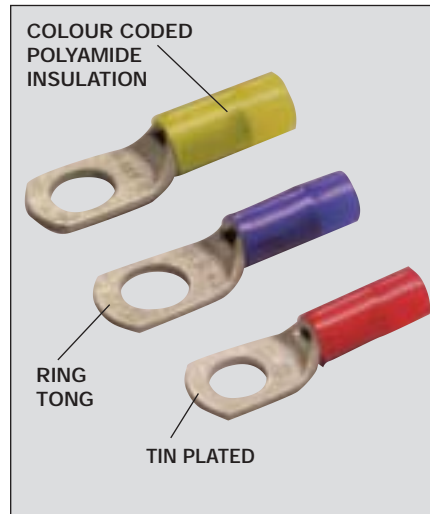
- Electrolytic copper sheet, electro tinned
- Polyamide insulation

### Performance

- Heat resistant up to +105°C

### Tooling

- The indicated numbers in the tooling table refer to pages 48 - 63



Circumferential compression

mm <sup>2</sup>	Stud size	Cat. No.	d	Insul D	y	b	Øk	Mechanical tools		Hydraulic tools	
								Pack Qty	Tooling number	Y500CT BCT500	Y35/Y35BH Y750/Y750BH BAT35/BAT750
0,3 - 1,2	5	YAEV18	1,4	3,2	19,6	8,0	5,1	100	4B		
1,5 - 2,5	3,5	YAEV025M35	2,3	4,0	18,2	6,0	3,7	100	4B		
	4	YAEV025M4	2,3	4,0	19,7	8,0	4,3				
	5	YAEV025M5	2,3	4,0	19,7	8,0	5,3				
	6	YAEV025M6	2,3	4,0	21,2	10,4	6,4				
	8	YAEV14T3	2,3	4,0	22,4	11,1	8,4				
4 - 6	3,5	YAEV06M35	3,3	6,0	24,9	7,0	3,7	50	4B		
	4	YAEV06M4	3,3	6,0	26,4	8,0	4,3				
	5	YAEV06M5	3,3	6,0	26,9	10,0	5,3				
	6	YAEV06M6	3,3	6,0	27,9	11,0	6,4				
	8	YAEV06M8	3,3	6,0	30,4	13,0	8,4				
	10	YAEV10T4	3,3	6,0	28,5	14,0	10,1				
10	4	YAEV10M4	4,6	6,7	23,4	10,3	4,3	50	5B - 7 - 11	W8CET	U8CET
	5	YAEV10M5	4,6	6,7	24,4	10,3	5,3				
	6	YAEV10M6	4,6	6,7	25,4	11,1	6,4				
	8	YAEV10M8	4,6	6,7	27,4	14,3	8,4				
	10	YAEV10M10	4,6	6,7	29,4	14,3	10,5				
	12	YAEV10M12	4,6	6,7	32,4	18,5	13,2				
16	5	YAEV16M5	5,7	8,0	29,9	12,7	5,3	50	5B - 7 - 11	W6CET	U6CET
	6	YAEV16M6	5,7	8,0	30,9	12,7	6,4				
	8	YAEV16M8	5,7	8,0	32,9	15,0	8,4				
	10	YAEV16M10	5,7	8,0	34,9	15,0	10,5				
	12	YAEV16M12	5,7	8,0	37,9	18,5	13,2				
25	5	YAEV25M5	7,2	9,7	32,2	13,9	5,3	50	7 - 11	W4CET	U4CET
	6	YAEV25M6	7,2	9,7	33,2	13,9	6,4				
	8	YAEV25M8	7,2	9,7	35,2	15,9	8,4				
	10	YAEV25M10	7,2	9,7	37,2	15,9	10,5				
	12	YAEV25M12	7,2	9,7	40,2	18,5	13,2				
35	5	YAEV35M5	8,5	11,8	38,4	15,9	5,3	50	7 - 11	W2CET	U2CET
	6	YAEV35M6	8,5	11,8	39,4	15,9	6,4				
	8	YAEV35M8	8,5	11,8	41,4	15,9	8,4				
	10	YAEV35M10	8,5	11,8	43,4	15,9	10,5				
	12	YAEV35M12	8,5	11,8	46,4	19,8	13,2				
50	5	YAEV50M5	9,5	13,2	39,9	18,2	5,3	50	7 - 11	W1CET	U1CET
	6	YAEV50M6	9,5	13,2	40,9	18,2	6,4				
	8	YAEV50M8	9,5	13,2	42,9	18,2	8,4				
	10	YAEV50M10	9,5	13,2	44,9	18,2	10,5				
	12	YAEV50M12	9,5	13,2	47,9	19,8	13,2				

# Copper Compression Connectors

## YAEV Line

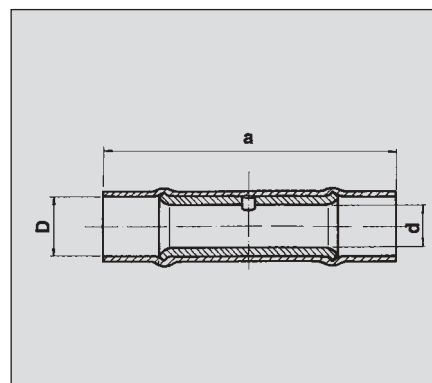
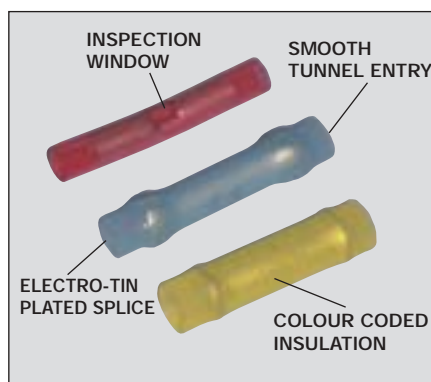
Insulug®

Polyamide insulated

mm <sup>2</sup>	Stud size	Cat. No.	d	Insul D	y	b	Øk	Mechanical tools		Hydraulic tools	
								Pack Qty	Tooling number	Y500CT BCT500	Y35/Y35BH Y750/Y750BH BAT35/BAT750
70	5	YAEV70M5	11,3	14,5	43,4	21,4	5,3	25	7 - 11	W25ET	U25ET
	6	YAEV70M6	11,3	14,5	44,4	21,4	6,4				
	8	YAEV70M8	11,3	14,5	46,4	21,4	8,4				
	10	YAEV70M10	11,3	14,5	48,4	21,4	10,5				
	12	YAEV70M12	11,3	14,5	51,4	22,4	13,2				
Flex 70	14	YAEV71M14	11,3	14,5	51,4	22,4	15,0	25	7 - 11	W26ET	U26ET
	6	YAEV70FM6	12,8	16,2	50,4	23,8	6,4				
	8	YAEV70FM8	12,8	16,2	52,4	23,8	8,4				
	10	YAEV70FM10	12,8	16,2	54,4	23,8	10,5				
95	12	YAEV70FM12	12,8	16,2	57,4	23,8	13,2	25	11	W27ET	U27ET
	14	YAEV70FM14	12,8	16,2	57,4	23,8	15,0				
	8	YAEV95M8	13,4	17,8	54,9	25,0	8,4				
	10	YAEV95M10	13,4	17,8	56,9	25,0	10,5				
120	12	YAEV95M12	13,4	17,8	59,9	25,0	13,2	25		W28ET	U28ET
	14	YAEV95M14	13,4	17,8	59,9	25,0	15,0				
	16	YAEV95M16	13,4	17,8	62,9	25,0	17,0				
	8	YAEV120M8	15,9	19,7	59,4	27,0	8,4				
	10	YAEV120M10	15,9	19,7	61,4	27,0	10,5				
	12	YAEV120M12	15,9	19,7	64,4	27,0	13,2				
	14	YAEV120M14	15,9	19,7	64,4	27,0	15,0				
	16	YAEV120M16	15,9	19,7	67,4	27,0	17,0				
	20	YAEV120M20	15,9	19,7	73,4	27,0	21,0				

## YSE Line

Insulink®



mm <sup>2</sup>	Cat. No.	d	Insul D	a	Pack Qty	Mechanical tools		Hydraulic tools	
						Tooling number	Y500CT BCT500	Y35/Y35BH Y750/Y750BH BAT35/BAT750	
0,3 - 1,2	YSE18H	1,4	3,2	30,5	100	4B			
1,5 - 2,5	YSE14H	2,3	4,0	34,5	100				
4 - 6	YSE10	3,3	6,0	28,0	50				
10	YSEV10	4,6	6,7	38,8	50	5B - 7 - 11	W8CET	U8CET	
16	YSEV16	5,7	8,0	44,6	50	5B - 7 - 11	W6CET	U6CET	
25	YSEV25	7,2	9,7	47,9	50	7 - 11	W4CET	U4CET	
35	YSEV35	8,5	11,8	59,0	50	7 - 11	W2CET	U2CET	

Circumferential compression

# Copper Compression Connectors

## CTCU Line NFC 20\_130

Non-insulated copper tubular terminals 6 - 300 MM<sup>2</sup>

### Description

- Range of copper tube formed terminals taking wires from 6 - 300 mm<sup>2</sup>
- Specification: NFC 20\_130

### Construction

- Electrolytic copper tube, electro tinned

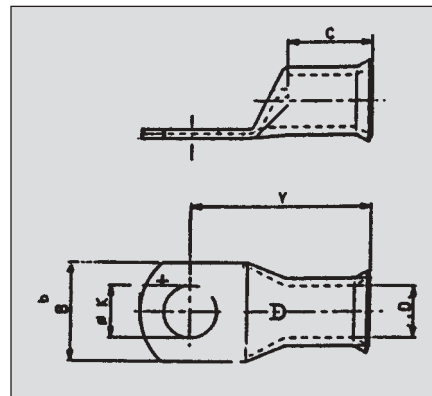
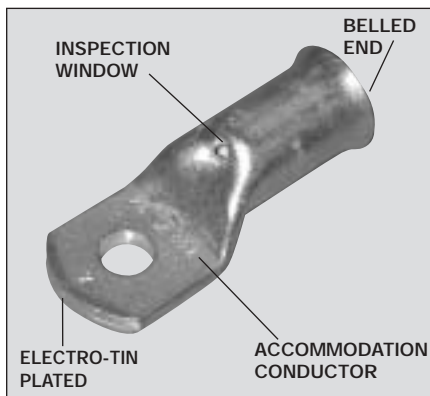
### Performance

- Heat resistant up to +125°C

\* See Tooling Catalogue

### Tooling

- The indicated numbers in the tooling table refer to pages 48 - 63.



mm <sup>2</sup>	Stud size	Cat. No.	d	y	b	c	Øk	Pack Qty	Mechanical tools and Hydraulic tools				
									Tooling number	MRD29 D51* D55E*	Y500CT BCT500	Y35/Y35BH Y750/Y750BH BAT35/BAT750	H80*
										Hexagonal	Hexagonal	Hexagonal	Hexagonal
6	5	CTCU65	3,3	22,5	13	10	5,3	100	18	50MH356C			7MH106C
	6	CTCU66	3,3	22,5	13	10	6,4						
	8	CTCU68	3,3	22,5	13	10	8,4						
10	5	CTCU105	4,2	23	11	10	5,3	100	18	50MH5010C	WMH10C	U12MH10C	7MH106C
	6	CTCU106	4,2	23	11	10	6,4						
	8	CTCU108	4,2	25,5	14	10	8,4						
	10	CTCU1010	4,2	25,5	14	10	10,5						
16	6	CTCU166	5,3	26,5	12	12	6,4	100	18	50MH7016C	WMH16C	U12MH16C	7MH2516C
	8	CTCU168	5,3	31,5	16	12	8,4						
	10	CTCU1610	5,3	31,5	16	12	10,5						
25	6	CTCU256	6,6	27,5	13	12	6,4	100	18	50MH3525C	WMH25C	U12MH25C	7MH2516C
	8	CTCU258	6,6	32,5	16	12	8,4						
	10	CTCU2510	6,6	32,5	16	12	10,5						
35	6	CTCU356	7,9	29,5	15	13	6,4	50	18	50MH356C	WMH35C	U12MH35C	7MH9535C
	8	CTCU358	7,9	29,5	17	13	8,4						
	10	CTCU3510	7,9	34	17	13	10,5						
50	8	CTCU508	9,2	34,5	18	17	8,4	25	18	50MH5010C	WMH50C	U12MH50C	7MH15050C
	10	CTCU5010	9,2	39	18	17	10,5						
	12	CTCU5012	9,2	39	19	17	12,8						
70	8	CTCU708	11,0	39,5	21	18	8,4	25		50MH7016C	WMH70C	U12MH70C	7MH1270C
	10	CTCU7010	11,0	39,5	21	18	10,5						
	12	CTCU7012	11,0	42	21	18	12,8						
95	8	CTCU958	13,1	45,3	23	22	8,4	25		50MH9525C	WMH95C	U12MH95C	7MH9535C
	10	CTCU9510	13,1	45,3	23	22	10,5						
	12	CTCU9512	13,1	46	23	22	12,8						
	14	CTCU9514	13,1	49	23	22	14,8						
	16	CTCU9516	13,1	49	23	22	16,5						
120	10	CTCU12010	14,5	48	28	24	10,5	25		50MH120C	WMH120C	U12MH120C	7MH12070C
	12	CTCU12012	14,5	48	28	24	12,8						
	14	CTCU12014	14,5	51	28	24	14,8						
	16	CTCU12016	14,5	51	28	24	16,5						
150	10	CTCU15010	16,2	53	30	28	10,5	25		50MH150C	WMH150C	U12MH150C	7MH15035C
	12	CTCU15012	16,2	53	30	28	12,8						
	14	CTCU15014	16,2	56	30	28	14,8						
	16	CTCU15016	16,2	56	30	28	16,5						
185	12	CTCU18512	18,0	60	33	30	12,8	10				U12MH185C	
	14	CTCU18514	18,0	63	33	30	14,8						
	16	CTCU18516	18,0	63	33	30	16,5						
240	12	CTCU24012	20,6	67,5	37	35	12,8	10				U12MH240C	
	14	CTCU24014	20,6	67,5	37	35	14,8						
	16	CTCU24016	20,6	72	37	35	16,5						
	20	CTCU24020	20,6	72	37	35	21,0						
300	12	CTCU30012	23,1	73,5	41	40	12,8	10				U12MH300C	
	14	CTCU30014	23,1	73,5	41	40	14,8						
	16	CTCU30016	23,1	78	41	40	16,5						
	20	CTCU30020	23,1	78	41	40	21,0						

# Copper Compression Connectors

## MTCU Line

### Non-insulated copper tubular butt-splices

#### Description

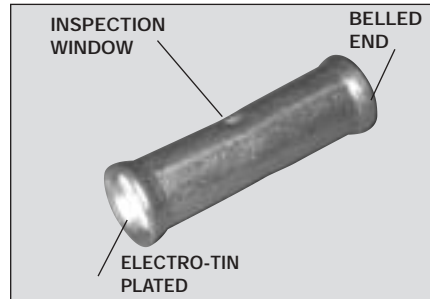
- Range of copper tube splices joining wires from 6 - 300 mm<sup>2</sup>

#### Construction

- Electrolytic copper tube, electro tinned

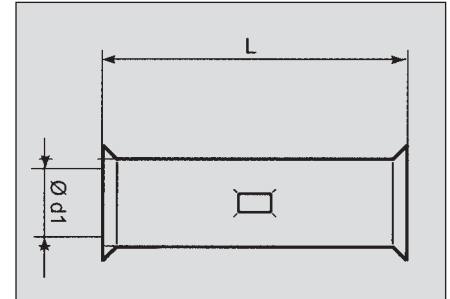
#### Performance

- Heat resistant up to +125°C



#### Tooling

- The indicated numbers in the tooling table refer to pages 48 - 63.



mm <sup>2</sup>	Cat. No.	Ø d1	L	Pack Qty	Mechanical tools and Hydraulic tools				
					Tooling number	MRD29 D51* D55E* Hexagonal	Y500CT BCT500 Hexagonal	Y35/Y35BH Y750/Y750BH BAT35/BAT750 Hexagonal	H80* Hexagonal
6	MTCU6	3,3	25	100	18	50MH356C			7MH106C
10	MTCU10	4,2	27	100	18	50MH5010C	WMH10C	U12MH10C	7MH106C
16	MTCU16	5,3	31	100	18	50MH7016C	WMH16C	U12MH16C	7MH2516C
25	MTCU25	6,6	35	100	18	50MH3525C	WMH25C	U12MH25C	7MH2516C
35	MTCU35	7,9	37	50	18	50MH356C	WMH35C	U12MH35C	7MH9535C
50	MTCU50	9,2	45	25	18	50MH5010C	WMH50C	U12MH50C	7MH15050C
70	MTCU70	11,0	50	25		50MH7016C	WMH70C	U12MH70C	7MH1270C
95	MTCU95	13,1	56	25		50MH9525C	WMH95C	U12MH95C	7MH9535C
120	MTCU120	14,5	60	25		50MH120C	WMH120C	U12MH120C	7MH12070C
150	MTCU150	16,2	66	25		50MH150C	WMH150C	U12MH150C	7MH15035C
185	MTCU185	18,0	70	10				U12MH185C	
240	MTCU240	20,6	80	10				U12MH240C	
300	MTCU300	23,1	90	10				U12MH300C	

## CTCUQ Line

### Non-insulated copper tubular terminals 6 - 95 mm<sup>2</sup>

#### Description

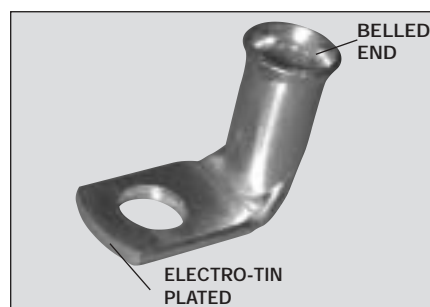
- Range of copper tube splices joining wires from 6 - 300 mm<sup>2</sup>

#### Construction

- Electrolytic copper tube, electro tinned

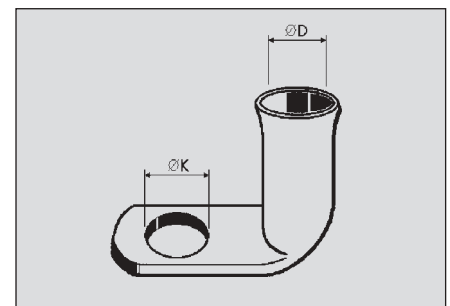
#### Performance

- Heat resistant up to +125°C



#### Tooling

- The indicated numbers in the tooling table refer to pages 48 - 63.



mm <sup>2</sup>	Stud Size	Cat. No.	Ø D	Ø K	Pack Qty	Mechanical tools and Hydraulic tools				
						Tooling number	MRD29 D51* D55E*	Y500CT BCT500	Y35/Y35BH Y750/Y750BH BAT35/BAT750	H80*
6	6	CTCUQ66	3,3	6,4	100	18	50MH356C			7MH106C
10	6	CTCUQ106	4,2	6,4	100	18	50MH5010C	WMH10C	U12MH10C	7MH106C
	8	CTCUQ108	4,2	8,4						
16	6	CTCUQ166	5,3	6,4	100	18	50MH7016C	WMH16C	U12MH16C	7MH2516C
	8	CTCUQ168	5,3	8,4						
25	6	CTCUQ256	6,6	6,4	100	18	50MH3525C	WMH25C	U12MH25C	7MH2516C
	8	CTCUQ258	6,6	8,4						
35	6	CTCUQ356	7,9	6,4	50	18	50MH356C	WMH35C	U12MH35C	7MH9535C
	8	CTCUQ358	7,9	8,4						
50	8	CTCUQ508	9,2	8,4	50	18	50MH5010C	WMH50C	U12MH50C	7MH15050C
	10	CTCUQ5010	9,2	10,5						
70	10	CTCUQ7010	11	10,5	25		50MH7016C	WMH70C	U12MH70C	7MH1270C
	12	CTCUQ7012	11	12,8						
95	10	CTCUQ9510	13	10,5	25		50MH9525C	WMH95C	U12MH95C	7MH9535C
	12	CTCUQ9512	13	12,8						

# Copper Compression Connectors

## BY Line DIN 46234

Non-insulated copper brazed terminals 0,5 - 240 mm<sup>2</sup>

### Description

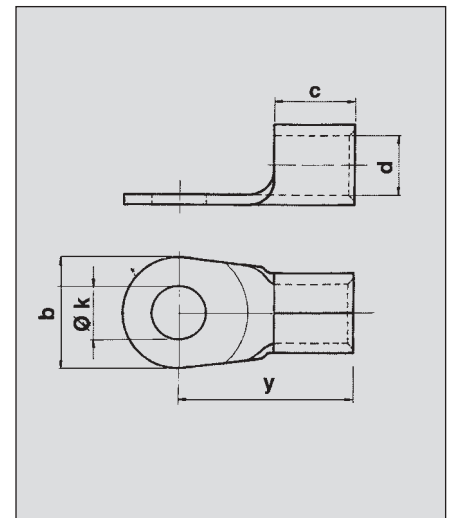
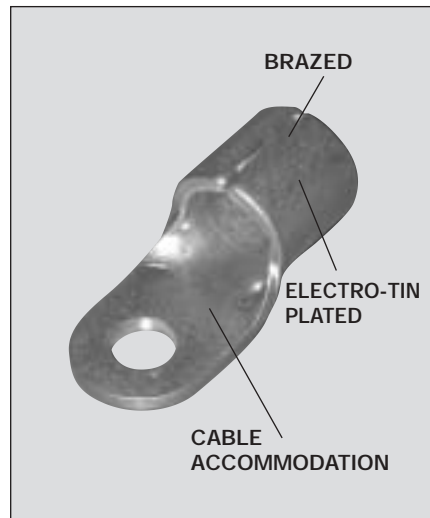
- Range of copper sheet, brazed terminals taking wires from 0,5 - 240 mm<sup>2</sup>

### Construction

- Electrolytic copper sheet, electro tinned

### Performance

- Heat resistant up to +125°C



### Tooling

- The indicated numbers in the tooling table refer to pages 48 - 63.

\* Not included in DIN 46234  
N= Nest die, I= Indentor

mm <sup>2</sup>	Stud size	Cat. No.	d	y	b	c	Øk	Pack Qty	Mechanical tools		Hydraulic tools							
									Tooling number	MRD29	Y500CT BCT500	Y35/Y35BH Y750/Y750BH BAT35/BAT750						
0,5 - 1,5	2,5	BY1M27D	1,6	10,8	6,0	4,8	2,7	100	1 - 22									
	3,0	BY1M32D	1,6	10,8	6,0	4,8	3,2											
	3,5	BY1M37D	1,6	10,8	6,0	4,8	3,7											
	4,0	BY1M43D	1,6	11,8	8,0	4,8	4,3											
	5,0	BY1M53D	1,6	12,8	10,0	4,8	5,3											
>1,5 - 2,5	6,0	BY1M65D	1,6	14,8	11,0	4,8	6,5	100	1 - 22									
	3,0	BY25M32D	2,3	10,8	6,0	4,8	3,2											
	3,5	BY25M37D	2,3	10,8	6,0	4,8	3,7											
	4,0	BY25M43D	2,3	11,8	8,0	4,8	4,3											
	5,0	BY25M53D	2,3	13,8	10,0	4,8	5,3											
>4 - 6	6,0	BY25M65D	2,3	15,8	11,0	4,8	6,5	50	1 - 14 - 22	50NKC1	N	I						
	8,0	BY25M84D	2,3	16,8	14,0	4,8	8,4											
	4,0	BY6M43D	3,6	14,0	8,0	6,0	4,3											
	5,0	BY6M53D	3,6	15,0	10,0	6,0	5,3											
	6,0	BY6M65D	3,6	16,0	11,0	6,0	6,5											
>6 - 10	8,0	BY6M84D	3,6	19,0	14,0	6,0	8,4	50	14	50NKC2	50PE0670C	WVB10	WPOS	UVB10				
	10,0	BY6M105D	3,6	21,0	18,0	6,0	10,5											
	4,0	BY4-10*	4,5	16,0	10,0	8,0	4,3											
	5,0	BY5-10	4,5	16,0	10,0	8,0	5,3											
	6,0	BY6-10	4,5	17,0	11,0	8,0	6,5											
>10 - 16	8,0	BY8-10	4,5	20,0	14,0	8,0	8,4	50	14	50NKC2	50PE0670C	WVB16	WPOS	UVB16				
	10,0	BY10-10	4,5	21,0	18,0	8,0	10,5											
	12,0	BY12-10	4,5	23,0	22,0	8,0	13,0											
	5,0	BY5-16	5,8	20,0	11,0	10,0	5,3											
>16 - 25	6,0	BY6-16	5,8	20,0	11,0	10,0	6,5	50	14	50NKC2	50PE0670C	WVB25	WPOS	UVB25				
	8,0	BY8-16	5,8	22,0	14,0	10,0	8,4											
	10,0	BY10-16	5,8	24,0	18,0	10,0	10,5											
	12,0	BY12-16	5,8	26,0	22,0	10,0	13,0											
>25 - 35	5,0	BY5-25	7,5	25,0	12,0	11,0	5,3	50	14	50NKC2	50PE0670C	WVB35	WPOS	UVB35				
	6,0	BY6-25	7,5	25,0	12,0	11,0	6,5											
	8,0	BY8-25	7,5	25,0	16,0	11,0	8,4											
	10,0	BY10-25	7,5	26,0	18,0	11,0	10,5											
	12,0	BY12-25	7,5	31,0	22,0	11,0	13,0											
>35 - 48	14,0	BY14-25*	7,5	31,0	22,0	11,0	15,0	50	14	50NKC2	50PE0670C	WVB35	WPOS	UVB35				
	16,0	BY16-25	7,5	35,0	28,0	11,0	17,0											
	6,0	BY6-35	9,0	26,0	15,0	12,0	6,5											
	8,0	BY8-35	9,0	26,0	16,0	12,0	8,4											
	10,0	BY10-35	9,0	27,0	18,0	12,0	10,5											
>48 - 63	12,0	BY12-35	9,0	31,0	22,0	12,0	13,0	50	14	50NKC2	50PE0670C	WVB35	WPOS	UVB35				
	14,0	BY14-35*	9,0	31,0	22,0	12,0	15,0											
	16,0	BY16-35	9,0	35,0	28,0	12,0	17,0											
	16,0	BY16-35	9,0	35,0	28,0	12,0	17,0											

# Copper Compression Connectors

## BY Line DIN 46234

Non-insulated copper brazed terminals 0,5 - 240 mm<sup>2</sup>

mm <sup>2</sup>	Stud size	Cat. No.	d	y	b	c	Øk	Mechanical tools		Hydraulic tools				
								Pack Qty	MRD29		Y500CT BCT500		Y35BH Y35/Y750 BAT35	
									N	I	N	I	N	I
>35 - 50	6,0	BY6-50	11,0	34,0	18,0	16,0	6,5	50	50NKC1	50PE0670C	WVB50	WPC6S	UVB50	Y35P106S
	8,0	BY8-50	11,0	34,0	18,0	16,0	8,4							
	10,0	BY10-50	11,0	34,0	18,0	16,0	10,5							
	12,0	BY12-50	11,0	36,0	22,0	16,0	13,0							
	14,0	BY14-50*	11,0	36,0	22,0	16,0	15,0							
	16,0	BY16-50	11,0	40,0	22,0	16,0	17,0							
>50 - 70	8	BY8-70	13,0	38,0	22,0	18,0	8,4	25	50NKC3	50PE0670C	WVB70	WPC6S	UVB70	Y35P106S
	10	BY10-70	13,0	38,0	22,0	18,0	10,5							
	12	BY12-70	13,0	38,0	22,0	18,0	13,0							
	14	BY14-70*	13,0	38,0	22,0	18,0	15,0							
	16	BY16-70	13,0	42,0	28,0	18,0	17,0							
>70 - 95	10	BY10-95	15,0	42,0	24,0	20,0	10,5	25			WVB95	WPC6S	UVB95	Y35P106S
	12	BY12-95	15,0	42,0	24,0	20,0	13,0							
	14	BY14-95*	15,0	42,0	24,0	20,0	15,0							
	16	BY16-95	15,0	44,0	28,0	20,0	17,0							
>95 - 120	10	BY10-120	16,5	44,0	24,0	22,0	10,5	25			WVB120	WPC6S	UVB120	Y35P107S
	12	BY12-120	16,5	44,0	24,0	22,0	13,0							
	14	BY14-120*	16,5	44,0	24,0	22,0	15,0							
	16	BY16-120	16,5	48,0	28,0	22,0	17,0							
>120 - 150	10	BY10-150	19,0	50,0	30,0	24,0	10,5	10				WPC6S	UVB150	Y35P107S
	12	BY12-150	19,0	50,0	30,0	24,0	13,0							
	14	BY14-150*	19,0	50,0	30,0	24,0	15,0							
	16	BY16-150	19,0	50,0	30,0	24,0	17,0							
>150 - 185	12	BY12-185	21,0	50,0	36,0	28,0	13,0	10				WPC6S	UVB185	Y35P107S
	14	BY14-185*	21,0	50,0	36,0	28,0	15,0							
	16	BY16-185	21,0	50,0	36,0	28,0	17,0							
>185 - 240	12	BY12-240	23,5	56,0	38,0	32,0	13,0	10				WPC6S	UVB240	Y35P107S
	14	BY14-240*	23,5	56,0	38,0	32,0	15,0							
	16	BY16-240	23,5	56,0	38,0	32,0	17,0							

\* Not included in DIN 46234  
Other stud hole, on request.  
N= Nest die, I= Indentor



# Copper Compression Connectors

## BYS Line DIN 46341/T1

Non-insulated copper brazed butt splices per DIN 46341/T1 form A

### Description

- Range of copper brazed splices joining wires from 0,1 - 150 mm<sup>2</sup>

### Construction

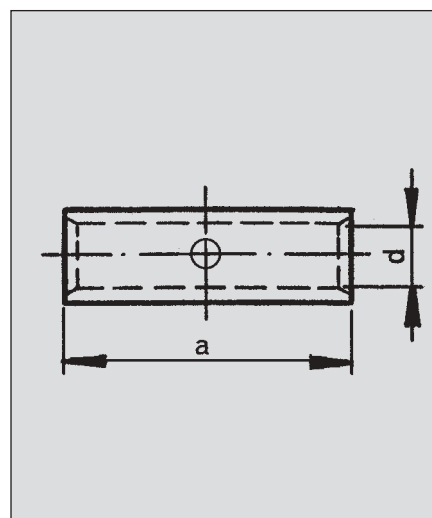
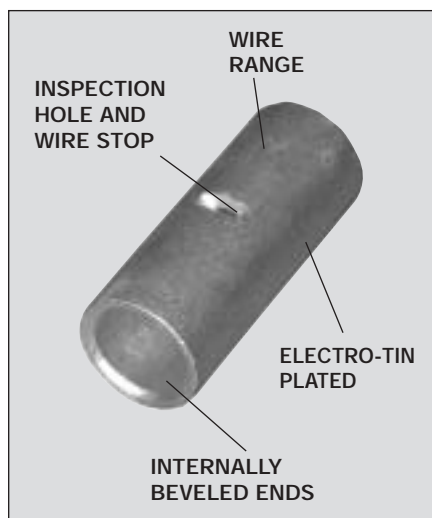
- Electrolytic copper sheet, tinplated

### Performance

- Heat resistant up to +125°C

### Tooling

- The indicated numbers in the tooling table refer to pages 48 - 63.



mm <sup>2</sup>	Cat. No.	d	a	Mechanical tools		Hydraulic tools				
				Tooling number	MRD29	Y500CT BCT500		Y35/Y35BH Y750/Y750BH BAT35/BAT750		
0,1 - 0,5	BYS05	1,2	12,0	Consult						
0,25 - 1,5	BYS1	1,6	15,0	1 - 22						
1 - 2,5	BYS025	2,3	15,0	1 - 22						
>4 - 6	BYS6	3,6	15,0	1 - 14 - 22	N	I				
>6 - 10	BYS10	4,5	20,0	14	50NKC1	50PE0670C	N	I	N	I
>10 - 16	BYS16	5,8	23,0	14	50NKC2		WVB10	WPOS	UVB10	Y35P1POS
>16 - 25	BYS25	7,5	25,0	14			WVB16		UVB16	
>25 - 35	BYS35	9,0	27,0	14			WVB25		UVB25	
>35 - 50	BYS50	11,0	38,0		50NKC1		WVB35	UVB35		
>50 - 70	BYS70	13,0	42,0		50NKC3	WVB50	WPO6S	UVB50	Y35P1PO6S	
>70 - 95	BYS95	15,0	48,0			WVB70		UVB70		
>95 - 120	BYS120	16,5	52,0			WVB95	WPO6S	UVB95	Y35P1PO7S	
>120 - 150	BYS150	19,0	56,0			WVB120		UVB120		
								UVB150	Y35P1PO7S	

N= Nest die, I= Indentor

# Copper Compression Connectors

## BYSM Line DIN 46341/T1

Non-insulated copper brazed butt splices per DIN 46341/T1 form B

### Description

- Range of copper brazed splices joining wires from 0,1 - 150 mm<sup>2</sup>

### Construction

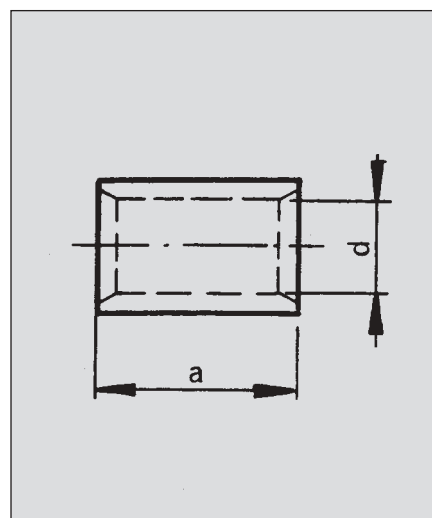
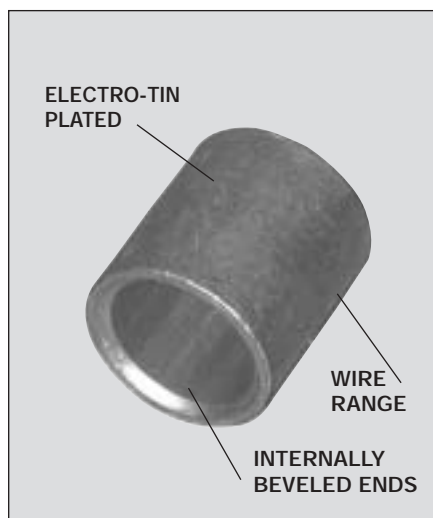
- Electrolytic copper sheet, tinplated

### Performance

- Heat resistant up to +125°C

### Tooling

- The indicated numbers in the tooling table refer to pages 48 - 63.



mm <sup>2</sup>	Cat. No.	d	a	Mechanical tools		Hydraulic tools				
				Tooling number	MRD29	Y500CT BCT500		Y35/Y35BH Y750/Y750 BAT35/BAT750		
0,1 - 0,5	BYSM05	1,2	5,0	Consult						
0,25 - 1,5	BYSM1	1,6	7,0	1 - 22						
1 - 2,5	BYSM025	2,3	7,0	1 - 22						
>4 - 6	BYSM6	3,6	7,0	1 - 14 - 22	N	I				
>6 - 10	BYSM10	4,5	9,0	14	50NKC1	50PE0670C	N	I	N	I
>10 - 16	BYSM16	5,8	10,0	14	50NKC2		WVB10	WPOS	UVB10	Y35P1POS
>16 - 25	BYSM25	7,5	11,0	14			WVB16		UVB16	
>25 - 35	BYSM35	9,0	12,0	14			WVB25		UVB25	
>35 - 50	BYSM50	11,0	16,0		50NKC1		WVB35	UVB35		
>50 - 70	BYSM70	13,0	18,0		50NKC3	WVB50	WPO6S	UVB50	Y35P1PO6S	
>70 - 95	BYSM95	15,0	20,0			WVB70		UVB70		
>95 - 120	BYSM120	16,5	22,0			WVB95	WPO6S	UVB95	Y35P1PO6S	
>120 - 150	BYSM150	19,0	24,0			WVB120		UVB120		
								UVB150	Y35P1PO7S	

N= Nest die, I= Indentor

# Copper Compression Connectors

## BYWD Line DIN 46230

Non-insulated copper brazed wire pins 0,5 - 95 mm<sup>2</sup>  
(DIN 46230 - 0,5-16 mm<sup>2</sup>)

### Description

- Range of copper brazed wires pins taking wires from 0,5 - 95 mm<sup>2</sup>

### Construction

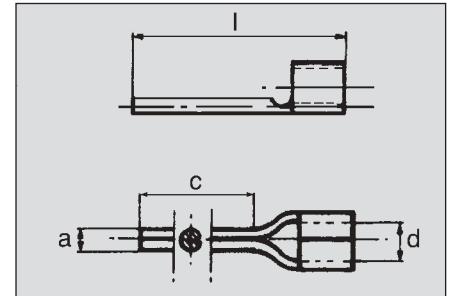
- Electrolytic brazed copper sheet, tinplated

### Performance

- Heat resistant up to +125°C

### Tooling

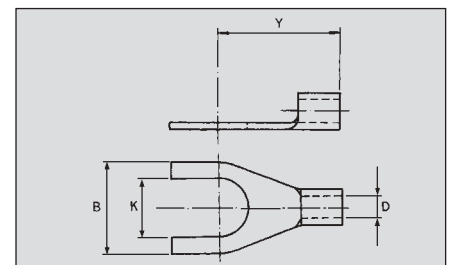
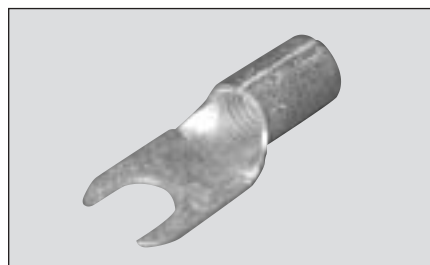
- The indicated numbers in the tooling table refer to pages



mm <sup>2</sup>	Cat. No.	d	a	l	c	Mechanical tools		Hydraulic tools					
						Tooling number	MRD29	Y500CT BCT500		Y35/Y35BH Y750/Y750BH BAT35/BAT750			
0,5 - 1,5	BY1W13D	1,6	1,9	18,3	5	1 - 22							
1,5 - 2,5	BY25W13D	2,3	1,9	18,3	5	1 - 22							
4 - 6	BY6W13D	3,6	2,7	19,5	6	1 - 14 - 22	N 50NKC1	I					
6 - 10	BY10W13D	4,5	4,3	25	10	14	50NKC2	50PE0670C	N	I	N	I	Y35P1PQS
10 - 16	BY16W17D	5,8	5,5	26	12	14			WVB10	WPOS	UVB10	Y35P1PQS	
16 - 25	BY25W17D	7,0	7,0	33	14	14			WVB16		UVB16		
25 - 35	BY35W23D	8,2	8,0	40	16	14			WVB25		UVB25		
35 - 50	BY50W23D	9,5	9,5	45	19		50NKC1		WVB35	UVB35			
50 - 70	BY70W26D	11,2	11,0	55	24		50NKC3		WVB50	UVB50		Y35P1PQ6S	
70 - 95	BY95W26D	13,5	12,5	55	24				WVB70	UVB70			
									WVB95	UVB95			

## BYF Line

Non-insulated copper brazed forks 6 - 25 mm<sup>2</sup>



mm <sup>2</sup>	Cat. No.	D	y	B	c	k	Mechanical tools		Hydraulic tools				
							Tooling number	MRD29	Y500CT BCT500		Y35/Y35BH Y750/Y750BH BAT35/BAT750		
6 - 10	BY6 10F	4,5	17	11	8	6,5	14			N	I	N	I
10 - 16	BY6 16F	5,8	20	11	10	6,5	14	50NKC2	50PE0670C	WVB10	WPOS	UVB10	Y35P1PQS
16 - 25	BY6 25F	7,5	25	12	11	6,5	14			WVB16		UVB16	
										WVB25			

# Copper Compression Connectors

## YCA/YCA\_TN Line DIN 46235

Non-insulated copper tubular terminals 6 - 1000 mm<sup>2</sup>

Heavy duty

### Description

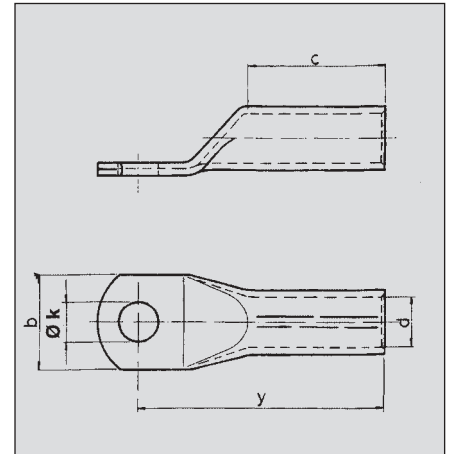
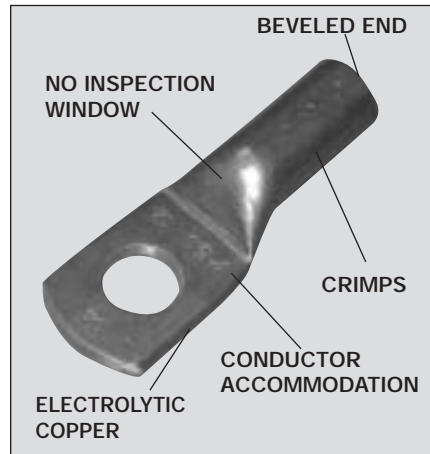
- Range of copper tube formed terminals taking cables from 6 - 1000 mm<sup>2</sup>. For all heavy applications up till 36 KV. as well for grounding connections

### Construction

- Electrolytic copper tube
- Std.: bright dip
- Tin plated: add "TN" to Cat. No.

### Tooling

- The indicated numbers in the tooling table refer to pages 48 - 63.



KZ- die code per DIN 48083/T4

\* Stud sizes not included in DIN 46235

mm <sup>2</sup>	Stud size	Cat. No.	KZ die code	d	y	b	c	Øk	Mechanical tools		Hydraulic tools					
									Pack Qty	Tooling number	MRD26T	MRD29	Y500CT BCT500	Y35/Y35BH Y750/Y750BH BAT35/BAT750	Y260 DBHM	Y450 DBHM
											Hexagonal	Hexagonal	Hexagonal	Hexagonal	Hexag.	Hexag.
6	5	YCA06M5	5	3,8	24	8,5	10	5,3	50	17	20MH	50MH	W5DKT	UDK		
	6	YCA06M6	5	3,8	24	8,5	10	6,4			05DKTC	05DKTC	05BGE2T			
	8	YCA06M8	5	3,8	24	13,0	10	8,4								
10	5	YCA010M5	6	4,5	27	9,0	10	5,3	50	17	20MH	50MH	W6DKT	UDK		
	6	YCA010M6	6	4,5	27	9,0	10	6,4			06DKTC	1606DKTC	06BGE2T			
	8*	YCA010M8	6	4,5	27	13,0	10	8,4								
16	6	YCA016M6	8	5,5	36	13,0	20	6,4	50	17-21	20MH	50MH	W8DKT	UDK		
	8	YCA016M8	8	5,5	36	13,0	20	8,4			08DKTC	1208DKTC	08BGE2T			
	10	YCA016M10	8	5,5	36	17,0	20	10,5								
	12*	YCA016M12	8	5,5	36	18,0	20	13,0								
25	6	YCA025M6	10	7,0	38	14,0	20	6,4	50	17-21	20MH	50MH	W10DKT	UDK		
	8	YCA025M8	10	7,0	38	16,0	20	8,4			10DKTC	1410DKTC	10BGE2T			
	10	YCA025M10	10	7,0	38	17,0	20	10,5								
	12*	YCA025M12	10	7,0	38	19,0	20	13,0								
35	6	YCA035M6	12	8,2	42	17,0	20	6,4	50	17-21	20MH	50MH	W12DKT	UDK		
	8	YCA035M8	12	8,2	42	17,0	20	8,4			12DKTC	1208DKTC	12BGE2T			
	10	YCA035M10	12	8,2	42	19,0	20	10,5								
	12	YCA035M12	12	8,2	42	21,0	20	13,0								
	14*	YCA035M14	12	8,2	42	21,0	20	15,0								
50	8	YCA050M8	14	10,0	52	20,0	28	8,4	50	17-21	20MH	50MH	W14DKT	UDK		
	10	YCA050M10	14	10,0	52	22,0	28	10,5			14DKTC	1410DKTC	14BGE2T			
	12	YCA050M12	14	10,0	52	24,0	28	13,0								
	14*	YCA050M14	14	10,0	52	24,0	28	15,0								
	16	YCA050M16	14	10,0	52	28,0	28	17,0								
70	8	YCA070M8	16	11,5	55	24,0	28	8,4	25	21	50MH	W16DKT	UDK			
	10	YCA070M10	16	11,5	55	24,0	28	10,5			1606DKTC	16BGE2T				
	12	YCA070M12	16	11,5	55	24,0	28	13,0								
	14*	YCA070M14	16	11,5	55	24,0	28	15,0								
	16	YCA070M16	16	11,5	55	30,0	28	17,0								
95	8*	YCA095M8	18	13,5	65	28,0	35	8,4	25	21	50MH	W18DKT	UDK			
	10	YCA095M10	18	13,5	65	28,0	35	10,5			18DKTC	18BGE2T				
	12	YCA095M12	18	13,5	65	28,0	35	13,0					(2X)			
	14*	YCA095M14	18	13,5	65	28,0	35	15,0								
	16	YCA095M16	18	13,5	65	32,0	35	17,0								
120	10	YCA120M10	20	15,5	70	32,0	35	10,5	25	21	50MH	W20DKT	UDK			
	12	YCA120M12	20	15,5	70	32,0	35	13,0			20DKTC	20BGE2T				
	14*	YCA120M14	20	15,5	70	32,0	35	15,0					(2X)			
	16	YCA120M16	20	15,5	70	32,0	35	17,0								
	20	YCA120M20	20	15,5	70	38,0	35	21,0								

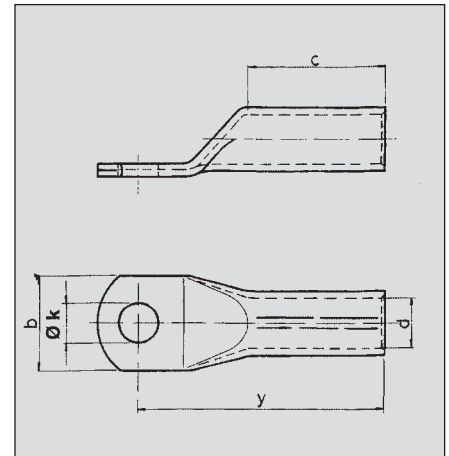
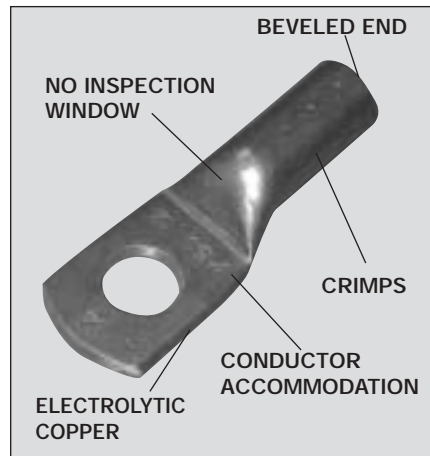
U-DIES WITH ADAPTOR 26UADP

U-DIES WITH ADAPTOR 45UADP

# Copper Compression Connectors

## YCA/YCA\_TN Line DIN 46235

Non-insulated copper tubular terminals 6 - 1000 mm<sup>2</sup>



mm <sup>2</sup>	Stud size	Cat. No.	KZ die code	d	y	b	c	Øk	Pack Qty	Hydraulic tools			
										Y500CT BCT500	Y35/Y35BH Y750/Y750BH BAT35/BAT750	Y260DBHM	Y450DBHM
150	10	YCA150M10	22	17,0	78	34,0	35	10,5	10	W22DKT	UDK 22BGE2T (2X)	U-DIES WITH ADAPTOR 26UADP	U-DIES WITH ADAPTOR 45UADP
	12	YCA150M12	22	17,0	78	34,0	35	13,0					
	14*	YCA150M14	22	17,0	78	34,0	35	15,0					
	16	YCA150M16	22	17,0	78	34,0	35	17,0					
	20	YCA150M20	22	17,0	78	40,0	35	21,0					
185	10	YCA185M10	25	19,0	82	37,0	40	10,5	10	W25DKT	UDK 25BGE2T (2X)	U-DIES WITH ADAPTOR 26UADP	U-DIES WITH ADAPTOR 45UADP
	12	YCA185M12	25	19,0	82	37,0	40	13,0					
	14*	YCA185M14	25	19,0	82	37,0	40	15,0					
	16	YCA185M16	25	19,0	82	37,0	40	17,0					
	20	YCA185M20	25	19,0	82	40,0	40	21,0					
240	12	YCA240M12	28	21,5	92	42,0	40	13,0	10		UDK 28BGE2T (2X)	U-DIES WITH ADAPTOR 26UADP	U-DIES WITH ADAPTOR 45UADP
	14*	YCA240M14	28	21,5	92	42,0	40	15,0					
	16	YCA240M16	28	21,5	92	42,0	40	17,0					
	20	YCA240M20	28	21,5	92	45,0	40	21,0					
300	14*	YCA300M14	32	24,5	100	48,0	50	15,0	10		UDK 32BGE2T (4X)	U-DIES WITH ADAPTOR 26UADP	U-DIES WITH ADAPTOR 45UADP
	16	YCA300M16	32	24,5	100	48,0	50	17,0					
	20	YCA300M20	32	24,5	100	48,0	50	21,0					
400	14*	YCA400M14	38	27,5	115	55,0	70	15,0	10			26MH 38DKT	45MH 38DKT
	16	YCA400M16	38	27,5	115	55,0	70	17,0					
	20	YCA400M20	38	27,5	115	55,0	70	21,0					
500	16*	YCA500M16	42	31,0	125	60,0	70	17,0	10			26MH 42DKT	45MH 42DKT
	20	YCA500M20	42	31,0	125	60,0	70	21,0					
625/630	16*	YCA630M16	44	34,5	135	60,0	80	17,0	10			26MH 44DKT	45MH 44DKT
	20	YCA630M20	44	34,5	135	60,0	80	21,0					
800	20	YCA800M20	52	40,0	165	75,0	100	21,0	10				45MH 52DKT
1000	20	YCA1000M20	58	44,0	165	85,0	100	21,0	10				45MH 58DKT

KZ- die code per DIN 48083/T4

\* Stud sizes not included in DIN 46235

Other variations available on request

Tin Plated: add "TN" to Cat. No.

# Copper Compression Connectors

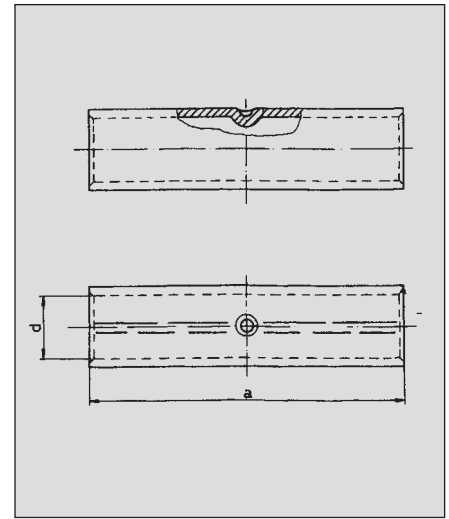
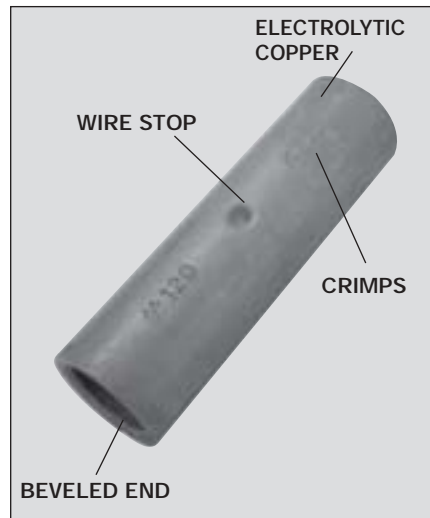
## YCS / YCS\_TN DIN 46267/T1

Non-insulated copper tubular butt-splices

Heavy duty

### Description

- Range of copper tube splices joining cables from 6 - 1000 mm<sup>2</sup>.
- For all heavy duty applications including grounding connections
- For 36 KV. applications - please consult for tapered versions



### Construction

- Electrolytic copper tube
- Std.: bright dip
- Tin plated: add "TN" to Cat. No.

### Tooling

- The indicated numbers in the tooling table refer to pages 48 - 63.

mm <sup>2</sup>	Cat. No.	KZ die code	d	a	Pack Qty	Mechanical tools		Hydraulic tools			
						MRD26T	MRD29	Y500CT BCT500	Y35/Y35BH Y750/Y750BH BAT35/BAT750	Y260DBHM	Y450 DBHM
6	YCS06	5	3,8	30,0	50	20-DIES	50-DIES	W-DIES	U-DIES	U-DIES WITH ADAPTOR 26UADP	U-DIES WITH ADAPTOR 45UADP
10	YCS10	6	4,5	30,0	50						
16	YCS16	8	5,5	50,0	50						
25	YCS25	10	7,0	50,0	50						
35	YCS35	12	8,2	50,0	50						
50	YCS50	14	10,0	56,0	50						
70	YCS70	16	11,5	56,0	25						
95	YCS95	18	13,5	70,0	25						
120	YCS120	20	15,5	70,0	25						
150	YCS150	22	17,0	80,0	10						
185	YCS185	25	19,0	85,0	10						
240	YCS240	28	21,5	90,0	10						
300	YCS300	32	24,5	100,0	10						
400	YCS400	38	27,5	150,0	10						
500	YCS500	42	31,0	160,0	10						
625/630	YCS630	44	34,5	160,0	10						
800	YCS800	52	40,0	200,0	10						
1000	YCS1000	58	44,0	200,0	10						

For die references, please consult pages 35 and 36,  
copper terminals  
Tin Plated: add "TN" to Cat. No.

# Aluminum Compression Connectors

## YA\_TN Line

Hylug®

Aluminium tubular terminals - tin plated

### Description

- Range of aluminum tube formed terminals taking alu cables from 10 - 400 mm<sup>2</sup>

### Construction

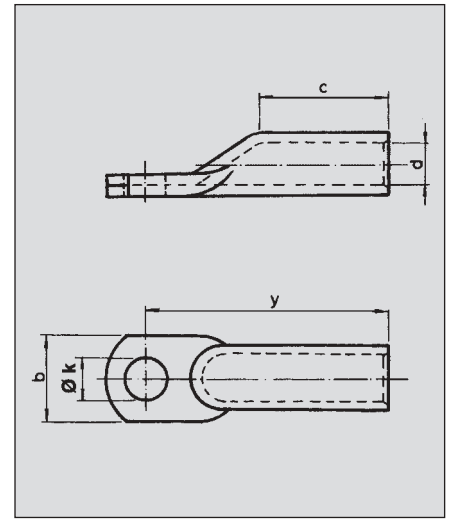
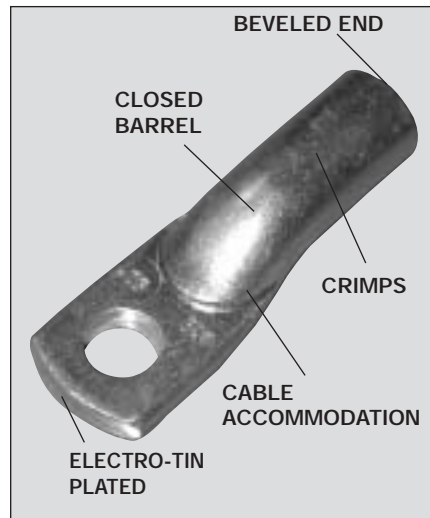
- 99,5 % pure aluminum tube tin plated for high resistance against corrosion
- Prefilled with contact grease and capped

### Performance

- Heat resistant up to +125°C

### Tooling

- The indicated numbers in the tooling table refer to pages 48 - 63.



mm <sup>2</sup>	Stud size	Cat. No.	d	y	b	c	Øk	Pack Qty	Hydraulic tools			
									Y500CT BCT500	Y35/Y35BH Y750/Y750BH BAT35/BAT750	Y644M	Y46 •
10	6	YA8CA3	4,5	35,6	13,5	14,0	6,4	50	W8CART	U8CART	DIELESS	U-DIES WITH ADAPTOR P-UADP
16	6	YA6CAM64TN	5,4	31,7	12,2	16,0	6,4	50	W6CART	U6CART		
	8	YA6CAM84TN	5,4	33,5	12,0	16,0	8,4	50	W4CART	U4CART		
25	8	YA4CAM84TN	6,5	39,0	14,6	18,5	8,4	50	W2CART	U2CART		
35	10	YA2CAM105TN	7,8	45,3	17,5	20,8	10,5	50	W25ART	U25ART		
50	10	YA25AM105TN	9,8	51,9	21,0	25,4	10,5	25	W26ART (2X)	U26ART (2X)		
	12	YA25AM132TN	9,8	52,9	21,0	25,4	13,2	25	W27ART (2X)	U27ART (2X)		
70	10	YA26AM105TN	11,0	56,3	23,8	27,8	10,5	25	W28ART (2X)	U28ART (2X)		
	12	YA26AM132TN	11,0	59,3	23,8	27,8	13,2	25	U29ART (2X)	U29ART (2X)		
80*(US 3/0)	12	YA27AM132TN	12,7	65,8	27,0	31,8	13,2	25	U30ART (2X)	U30ART (2X)		
95	12	YA28AM132TN	14,0	69,3	29,6	33,3	13,2	25	U31ART (2X)	U31ART (2X)		
120	12	YA29AM132TN	15,1	73,8	32,0	35,8	13,2	25	U32ART (3X)	U32ART (3X)		
150	12	YA30AM132TN	16,5	79,5	35,9	38,9	13,2	10	U34ART (3X)	U34ART (3X)		
185	12	YA31AM132TN	18,3	84,1	38,6	41,1	13,2	10	U36ART (4X)	U36ART (4X)		
200*(US 400)	16	YA32AM170TN	19,4	94,0	41,0	46,0	17,0	10				
	12	YA34AM132TN	21,7	96,0	46,5	47,8	13,2	5				
240	16	YA34AM170TN	21,7	100,0	46,5	47,8	17,0	5				
300	16	YA36AM170TN	23,4	107,0	50,8	50,8	17,0	5				
400	20	YA40AM210TN	26,7	123,0	57,9	58,7	21,0	5			P40ART	

- Oval compression
- More cable sections and stud sizes available on request.
- \* For more cable sections and stud sizes. Please consult.
- • Also possible with compression heads - Y260DBHM (33) and Y22BH (35)



# Aluminum Compression Connectors

## YS\_TN Line Hylink®

Aluminium tubular - non tension - tin plated

### Description

- Range of aluminum tubular splices taking alu cables from 10 - 400 mm<sup>2</sup>

### Construction

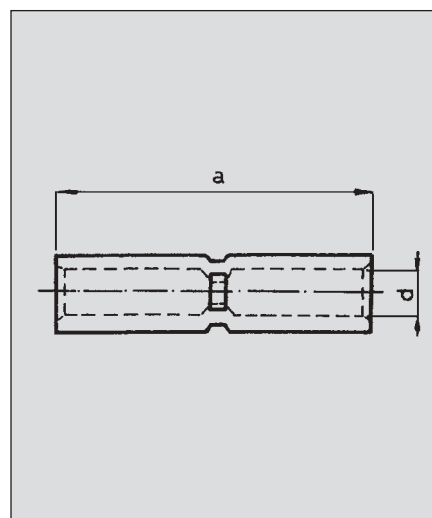
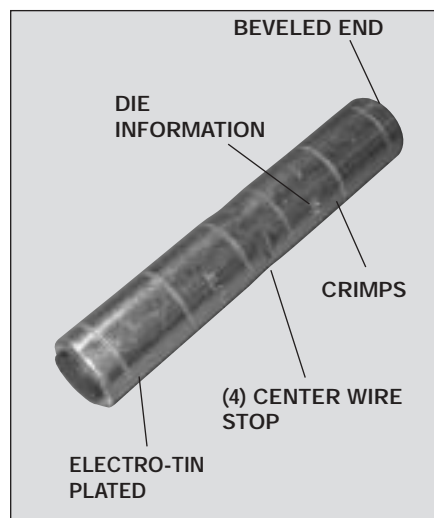
- 99,5 % pure aluminum tube tin plated for high resistance against corrosion
- Prefilled with contact grease and capped

### Performance

- Heat resistant up to +125°C

### Tooling

- The indicated numbers in the tooling table refer to pages 48 - 63.



mm <sup>2</sup>	Cat. No.	d	a	Pack Qty	Hydraulic tools			
					Y500CT BCT500	Y35/Y35BH Y750/Y750BH BAT35/BAT750	Y644M	Y46
10	YS8CA1	4,5	36,6	50	W8CART	U8CART	DIELESS	U-DIES WITH ADAPTOR P-UADP
16	YS6CAGF1TN	5,4	35,0	50	W6CART	U6CART		
25	YS4CAGE1TN	6,5	40,0	50	W4CART	U4CART		
35	YS2CAGE1TN	7,8	45,0	50	W2CART	U2CART		
50	YS25AGE1TN	9,8	54,0	25	W25ART	U25ART		
70	YS26AGE1TN	11,0	59,0	25	W26ART (2X)	U26ART (2X)		
80*(US 3/0)	YS27AGE1TN	12,7	66,5	25	W27ART (2X)	U27ART (2X)		
95	YS28AGE1TN	14,0	70,0	25	W28ART (2X)	U28ART (2X)		
120	YS29AGE1TN	15,1	75,0	25		U29ART (2X)		
150	YS30AGE1TN	16,5	79,5	10		U30ART (2X)		
185	YS31AGE1TN	18,3	86,0	10		U31ART (2X)		
200*(US 400)	YS32AGE1TN	19,4	95,2	10		U32ART (3X)		
240	YS34AGE1TN	21,7	99,0	5		U34ART (3X)		
300	YS36AGE1TN	23,4	105,0	5		U36ART (4X)		
400	YS40AGE1TN	26,7	121,0	5				

- Oval compression
- More cable sections and stud sizes available on request.
- \* For more cable sections and stud sizes. Please consult.
- • Also possible with compression heads - Y260DBHM (33) and Y22BH (35)

# Bimetallic Alu-Cu Compression Connectors

## CFR Line

Bimetallic Al-Cu terminals for industrial application

### Materials

- Alu. 99,5%
- Cu. 99,9%

### Compression type

- Hexagonal

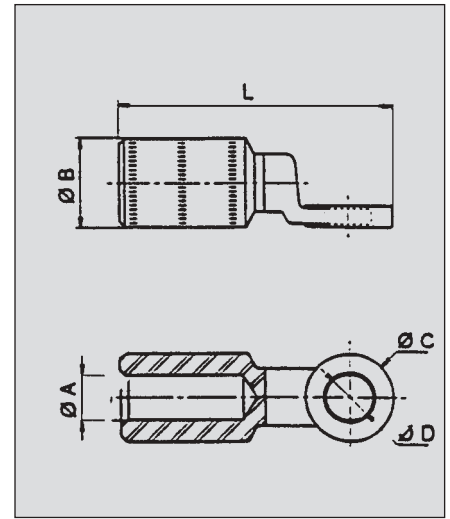
### Packing

- 3 pieces in plastic bag

### Tooling

- The indicated numbers in the tooling table refer to pages 48 - 63.

\* See tooling catalogue



Sections (mm <sup>2</sup> )	Cat. No	Dimensions (mm)					Hydraulic Tools		Qty Pack
		ØA	ØB	ØC	ØD	L	H80*	Y35/Y35BH Y750/Y750BH BAT35/BAT750	
								DIN 48043	
35	CFR35M8	8,0	16,0	16,5	8,4	57	70E173	UDK16 BGE1T	U140BGE5T
50	CFR50M8	9,0	16,0	16,5	8,4	57			
70	CFR70M10	11,0	20,0	20,0	10,5	63	E140	UDK20 BGE1T	U173BGE5T
95	CFR95M10	12,5	20,0	20,0	10,5	63			
120	CFR120M10	13,7	20,0	20,0	10,5	63	70E215	UDK26 BGE1T	U235BGE5T
150	CFR150M10	15,5	27,0	30,0	10,5	93			
	CFR150M12	15,5	27,0	30,0	12,8	93	E113	UDK32 BGE1T	U280BGE5T
185	CFR185M10	17,0	27,0	30,0	10,5	93			
	CFR185M12	17,0	27,0	30,0	12,8	93	70E215	UDK26 BGE1T	U235BGE5T
240	CFR240M10	19,5	27,0	30,0	10,5	93			
	CFR240M12	19,5	27,0	30,0	12,8	93	E113	UDK32 BGE1T	U280BGE5T
300	CFR300M10	22,0	32,0	36,0	10,5	102			
	CFR300M14	22,0	32,0	36,0	14,5	102	70E215	UDK32 BGE1T	U280BGE5T

# Bimetallic Al-Cu Compression Connectors

## CAU - Y4A Line

Bimetallic Al-Cu compression terminals per EDF NFC 33-090

### Materials

- AL part: Al. 99,5%
- CU part: Cu. 99,5%

### Compression type

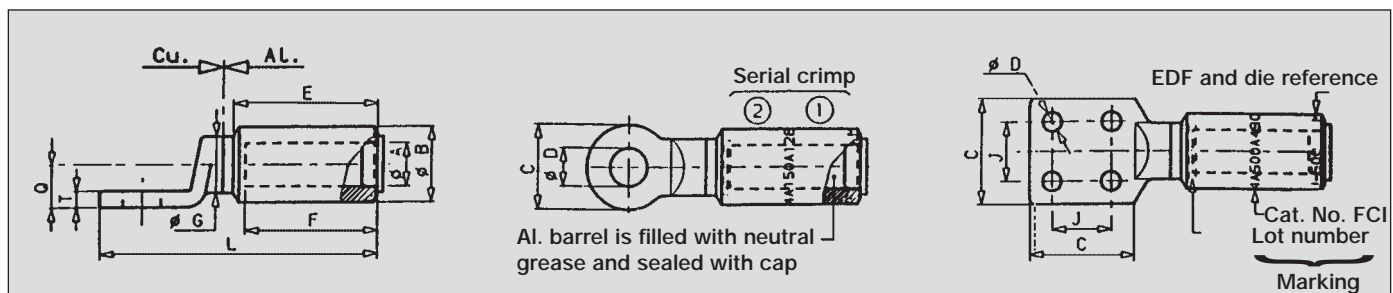
- Two step deep indent

### Packing

- 3 pieces in plastic bag

### Tooling

- The indicated numbers in the tooling table refer to pages 48 - 63.



Section mm <sup>2</sup>	Cat. No.		Dimensions										TOOL: Y39E1E*			
	EDF	FCI	ØA	ØB	C	ØD	E	F	ØG	J	L	P	Q	Die	Indentor	
16	C0AU-16	Y4A16A105C	5,5	16	ø20	10,5	47,5	43	12,0	30x30	80	4,5	10	MC 0E	0E	
25	C0AU-25	Y4A25A105C	6,5	16	ø20	10,5	47,5	43	12,0		80	4,5	10	MC 0E	0E	
35	C0AU-35	Y4A35A128C	8,0	16	ø25	12,8	47,5	43	12,0		86	5,0	12	MC 0E	0E	
50	C1AU-50	Y4A50A128C	9,0	20	ø25	12,8	47,5	43	14,8		86	5,0	12	MC 1E	1E	
70	C1AU-70	Y4A70A128C	11,0	20	ø25	12,8	47,5	43	14,8		86	5,0	12	MC 1E	1E	
95	C1AU-95	Y4A95A128C	12,5	20	ø25	12,8	47,5	43	14,8		86	5,0	12	MC 1E	1E	
120	C2AU-120	Y4A120A128C	13,7	25	ø30	12,8	64,0	59	18,8		112	6,0	14	MC 2E	2E	
150	C2AU-150	Y4A150A128C	15,5	25	ø30	12,8	64,0	59	18,8		112	6,0	14	MC 2E	2E	
185	C4AU-185	Y4A185A128C	17,0	32	ø30	12,8	64,0	59	23,8		114	6,0	18	MC 4E	4E	
240	C4AU-240	Y4A240A128C	19,5	32	ø30	12,8	64,0	59	23,8		114	6,0	18	MC 4E	4E	
300	C5AU-300	Y4A300A165C	23,3	40	ø36	16,5	100,0	93	28,0		158	7,0	22	MC 5E	5E	
400	C5AU-400	Y4A400A165C	26,0	40	ø36	16,5	100,0	93	28,0		158	7,0	22	MC 5E	5E	
500	C6AU-500	Y4A500A490C	29,1	47	60x60	4x9	101,0	94	36,8		30x30	200		29	MC 6E	6E
630	C6AU-630	Y4A630A490C	32,5	47	60x60	4x9	101,0	94	36,8		30x30	200		29	MC 6E	6E

## QAU - Y4A 90 Line

Bimetallic Al-Cu 90°

### Materials

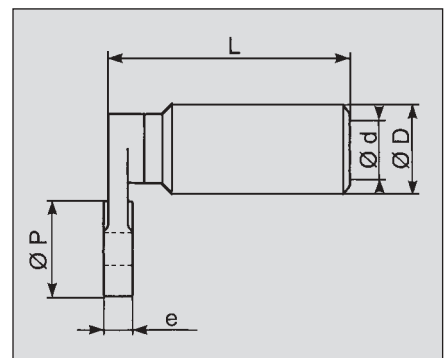
- AL part: Al. 99,5%
- CU part: Cu. 99,5%

### Compression type

- Two step deep indent

### Packing

- 3 pieces in plastic bag



Section mm <sup>2</sup>	Cat. No.		Dimensions						TOOL: Y39E1E*		Qty Pack
	EDF	FCI	ØD	Ød	Øp (approx.)	ØB	L (approx.)	e (max.)	Die	Indentor	
240	Q4 AU 240	Y4A240A128C90	32	19,5	30	12	85	7	MC 4E	4E	3

# Bimetallic Al-Cu Compression Connectors

## RJAU - Y4RR Line

Bimetallic Al-Cu compression  
reducers per EDF Norm  
NFC33-090

### Materials

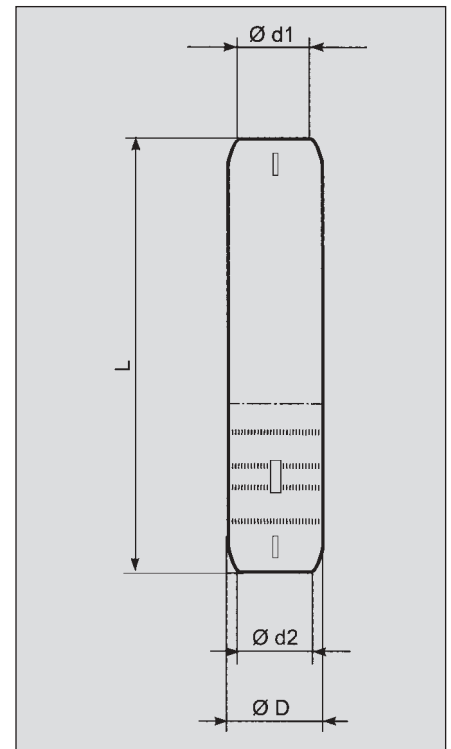
- AL part: Al. 99,5% (DIN 40501)
- CU part: Cu. 99,5% (DIN 40500)

### Compression type

- Al part = Two step deep indent
- Cu part = Hexagonal

### Packing

- 3 pieces in plastic bag



\* See tooling catalogue

Section (mm <sup>2</sup> )		Cat. No.		Dimensions				TOOL: Y39E1E*			Qty Pack
Al.	Cuivre	EDF	FCI	ØD	Ød1	Ød2	L	Aluminum Die	Cuivre Indentor	Hexagonal	
50	16	RJ1 AU5016	Y4RR50A16C	20	9	5,5	107	MJ1E	1E	E173	Per 3 + mastic
50	22	RJ1 AU5022	Y4RR50A22C		9	6,5					
50	25	RJ1 AU5025	Y4RR50A25C		9	6,5					
50	35	RJ1 AU5035	Y4RR50A35C		9	8					
50	38	RJ1 AU5038	Y4RR50A38C		9	8,5					
50	50	RJ1 AU5050	Y4RR50A50C		9	9,5					
70	35	RJ1 AU7035	Y4RR70A35C		11	8					
70	50	RJ1 AU7050	Y4RR70A50C		11	9,5					
70	70	RJ1 AU7070	Y4RR70A70C		11	11					
95	35	RJ1 AU9535	Y4RR95A35C		12,5	8					
95	50	RJ1 AU9550	Y4RR95A50C		12,5	9,5					
95	70	RJ1 AU9570	Y4RR95A70C		12,5	11					
95	95	RJ1 AU9595	Y4RR95A95C		12,5	13					
120	50	RJ2 AU12050	Y4RR120A50C		25	13,7					
120	70	RJ2 AU12070	Y4RR120A70C	13,7		11					
120	95	RJ2 AU12095	Y4RR120A95C	13,7		13					
120	120	RJ2 AU120120	Y4RR120A120C	13,7		14,2					
150	70	RJ2 AU15070	Y4RR150A70C	15,5		11					
150	95	RJ2 AU15095	Y4RR150A95C	15,5		13					
150	120	RJ2 AU150120	Y4RR150A120C	15,5		14,2					
150	150	RJ2 AU150150	Y4RR150A150C	15,5		16					
150	185	RJ2 AU150185	Y4RR150A185C	15,5	18						
185	95	RJ4 AU18595	Y4RR185A95C	32	17	13	144	MJ4E	4E	E280	
185	120	RJ4 AU185120	Y4RR185A120C		17	14,2					
185	150	RJ4 AU185150	Y4RR185A150C		17	16					
185	185	RJ4 AU185185	Y4RR185A185C		17	18					
240	95	RJ4 AU24095	Y4RR240A95C		19,5	13					
240	120	RJ4 AU240120	Y4RR240A120C		19,5	14,2					
240	150	RJ4 AU240150	Y4RR240A150C		19,5	16					
240	185	RJ4 AU240185	Y4RR240A185C		19,5	18					
240	240	RJ4 AU240240	Y4RR240A240C	19,5	20						

# Compression Grounding

## YC / YCTN Lines Crimpit

### Copper C-taps

#### Description

- Range taking C-shape connectors for tap or parallel connections of copper cable, mainly for grounding connections.

#### Construction

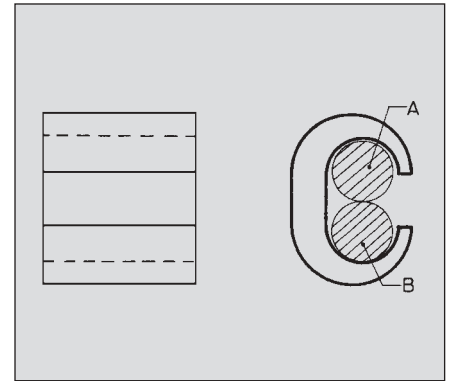
- Extruded electrolytic copper-thick wall
- TN for tin plated

#### Performance

- Can be installed in all weather conditions
- Heat resistant up to +105°C

#### Tooling

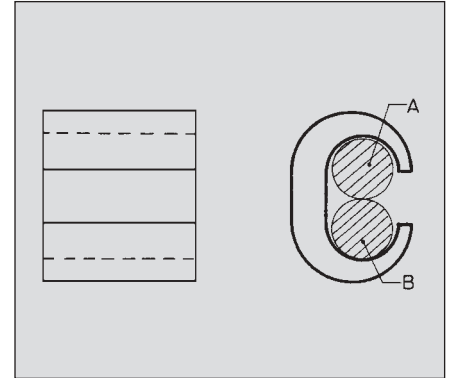
- The indicated numbers in the tooling table refer to pages 48 - 63.



Cat. No.	A			B			Pack Qty	Hydraulic tools				
	Ø min max	• mm <sup>2</sup>	⊘ mm <sup>2</sup>	Ø min max	• mm <sup>2</sup>	⊘ mm <sup>2</sup>		Y500CT BCT500 MD6	Y35/Y35BH Y750/Y750BH BAT35/BAT750	Y46	Y260D BHM	UK Y22BH
YC10C10	1,6 2,8	2,5-4	4-6	1,6 2,8	2,5-4	4-6	100	W238 (1X)				
YC10C10 TN	1,6 2,8	2,5-4	4-6	1,6 2,8	2,5-4	4-6	100	W238 (1X)				
YC8C8	3,2 4,2	6-10	10	1,6 3,6	2,5-6	4-6-10	100	W162 (2X)				
YC8C8 TN	3,2 4,2	6-10	10	1,6 3,6	2,5-6	4-6-10	100	W162 (2X)				
YC4C8	4,1 6,7	10-25	35	2,3 3,6	4-6	4-6-10	500	WBG (1X)	UBG (1X)	U-DIES WIYH ADAPTOR PUADP	U-DIES WIYH ADAPTOR 26JUADP	U-DIES WIYH ADAPTOR 22UADP
YC4C8 TN	4,1 6,7	10-25	35	2,3 3,6	4-6	4-6-10	50					
YC4C6	5,1 6,7	16-25	35	2,3 4,1	4-10	4-6-10	500	MD6BG (2X)	UBG (1X)	U-DIES WIYH ADAPTOR PUADP	U-DIES WIYH ADAPTOR 26JUADP	U-DIES WIYH ADAPTOR 22UADP
YC4C6 TN	5,1 6,7	16-25	35	2,3 4,1	4-10	4-6-10	50					
YC4C4	5,1 6,7	16-25	25-35	4,2 6,7	16-25	25-35	500	MD6BG (2X)	UBG (1X)	U-DIES WIYH ADAPTOR PUADP	U-DIES WIYH ADAPTOR 26JUADP	U-DIES WIYH ADAPTOR 22UADP
YC4C4 TN	5,1 6,7	16-25	25-35	4,2 6,7	16-25	25-35	50					
YC25 MTN	5,1 6,7	16-25	25-35	4,2 6,7	16-25	25-35	500	W140BGE2T	12DE140			
YC2C4	7,5 8,0	35	50	2,3 6,4	4-25	25	250	WC (2X)	UC	U-DIES WIYH ADAPTOR PUADP	U-DIES WIYH ADAPTOR 26JUADP	U-DIES WIYH ADAPTOR 22UADP
YC2C4 TN	7,5 8,0	35	50	2,3 6,4	4-25	25	25					
YC2C2	7,5 8,0	35	50	5,1 8,0	16-35	25-35-50	250	WC (2X)	UC	U-DIES WIYH ADAPTOR PUADP	U-DIES WIYH ADAPTOR 26JUADP	U-DIES WIYH ADAPTOR 22UADP
YC2C2 TN	7,5 8,0	35	50	5,1 8,0	16-35	25-35-50	25					
YC35 MTN	7,5 8,0	35	50	5,1 8,0	16-35	25-35-50	250	W173BGE2T	12DE1739			
YC26C2	8,8 10,8	50-70		2,3 7,7	4-35	4-6-10-25 35	100	WE (3X)	UE (3X)	U-DIES WIYH ADAPTOR PUADP	U-DIES WIYH ADAPTOR 26JUADP	U-DIES WIYH ADAPTOR 22UADP
YC26C2 TN	8,8 10,8	50-70		2,3 7,7	4-35	4-6-10-25 35	10					
YC26C26	8,8 10,8	50-70		7,8 10,8	35-70	50	100	WE (3X)	UE (3X)	U-DIES WIYH ADAPTOR PUADP	U-DIES WIYH ADAPTOR 26JUADP	U-DIES WIYH ADAPTOR 22UADP
YC26C26 TN	8,8 10,8	50-70		7,8 10,8	35-70	50	10					
YC50 MTN	8,8 10,8	50-70		7,8 10,8	35-70	50	100	W173BGE2T	12DE1739			

# Compression Grounding

## YC / YCTN Lines Crimpit



Cat. No.	A			B			Pack Qty	Hydraulic tools				
	∅ min max	∅ mm <sup>2</sup>	∅ mm <sup>2</sup>	∅ min max	∅ mm <sup>2</sup>	∅ mm <sup>2</sup>		Y500CT BCT500	Y35/Y35BH Y750/Y750BH BAT35/BAT750	Y46	Y260D BHM	UK Y22BH
YC28C2	11,0 13,2	95		5,1 7,8	16-35	35	50	Y500CT BCT500	UF (3X)	U-DIES WIYH ADAPTOR PUADP	U-DIES WIYH ADAPTOR 26UADP	U-DIES WIYH ADAPTOR 22UADP
YC28C2 TN	11,0 13,2	95		5,1 7,8	16-35	35	10					
YC28C26	11,0 13,2	95		7,8 10,8	35-70	50	50					
YC28C26 TN	11,0 13,2	95		7,8 10,8	35-70	50	10					
YC28C28	11,0 13,2	95		11,0 13,2	95	50	50					
YC28C28 TN	11,0 13,2	95		11,0 13,2	95	50	10					
YC29C29	14,0	120		6,3 14,0	25-120	35-50	50					
YC29C29 TN	14,0	120		6,3 14,0	25-120	35-50	10					
YC31C28	15,7 6,7	150-185		9,0 12,5	50-95		50					
YC31C28 TN	15,7 6,7	150-185		9,0 12,5	50-95		10					
YC150M	15,7	150		10,5 15,7	70-150		25					
YC150M TN	15,7	150		10,5 15,7	70-150							
YC185M	14,0 17,7	120-185		12,5 17,5	95-185		25					
YC185M TN	14,0 17,7	120-185		12,5 17,5	95-185							
									U1011 (3X)	P1011	26MC 185M	Consult

# Compression Grounding

## YGHC Line Crimpit

### Description

- Range taking C-shape connectors for tap or parallel connections of copper cable, mainly for grounding connections.

### Construction

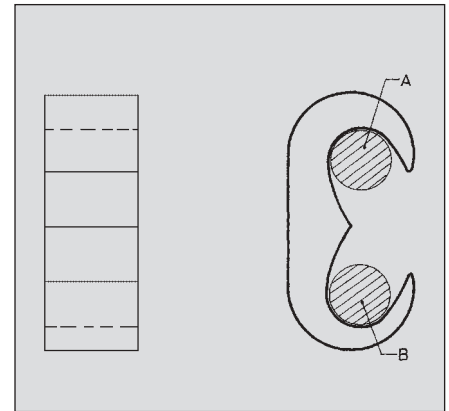
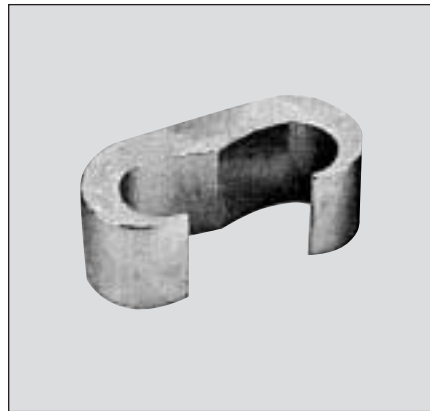
- Extruded electrolytic copper-thick wall

### Performance

- Can be installed in all weather conditions
- Heat resistant up to +105°C

### Tooling

- The indicated numbers in the tooling table refer to pages 48 - 63.



Cat. No.	A			B			Pack Qty	Hydraulic tools	
	∅ max	••• mm <sup>2</sup>	⊘ mm <sup>2</sup>	∅ min	••• mm <sup>2</sup>	⊘ mm <sup>2</sup>		Y750BH Y750 BAT750	Y46
YGHC34C26	15,7	150-240		4,1	10-70		10	U1011	P1011
	20,2			10,5					
YGHC34C29	15,7	150-240		12,5	95-120		10		
	20,2			14,0					
YGHC34C34	15,7	150-240		15,7	150-240		10		
	20,2			20,2					



# Heat Shrink Sleeves

## HT 12 Line

Heat-shrinkable crosslinked, flexible thin-wall polyolefin tubes for low voltage application.

Heat-shrinkable tubes on reel in small boxes

Heat-shrinkable tubings are made of heat stabilized, modified polyethylene. Upon cross-linking the material becomes thermally stable and has a maximum continuous operating temperature of 120°C.

Heat-shrinkable tubes are packed in a small carton box on a spool which guarantees smooth unreel of the tubes.

The tubes are flame retardant and available in the colours: black, white, red, yellow, blue and green.

The dual colour green/yellow only available from size 3, 2/1, 6.



Size	Qty Box	Cat. No.
1,2 - 0,6	12	HT12*12 N2 R 120 BOX
1,6 - 0,8	12	HT12*16 N2 R 120 BOX
2,4 - 1,2	12	HT12*24 N2 R 120 BOX
3,2 - 1,6	12	HT12*32 N2 R 120 BOX
4,8 - 2,4	11	HT12*48 N2 R 110 BOX
6,4 - 3,2	9	HT12*64 N2 R 90 BOX
9,5 - 4,8	7	HT12*95 N2 R 70 BOX
12,7 - 6,4	6	HT12*127 N2 R 60 BOX
19,1 - 9,5	4,5	HT12*191 N2 R 45 BOX
25,4 - 12,7	3,5	HT12*254 N2 R 35 BOX

\* Colour Code:

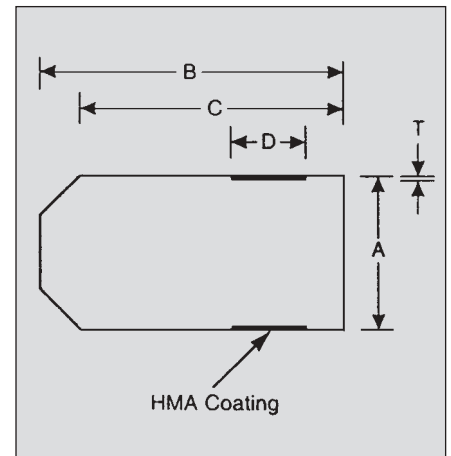
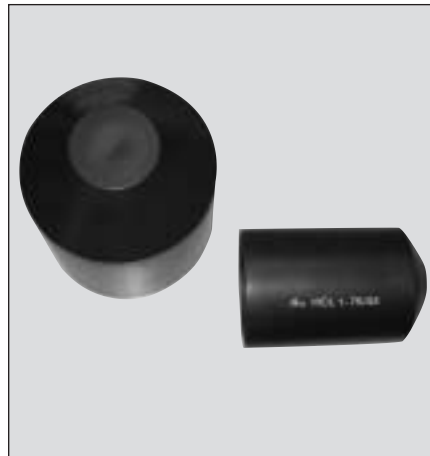
B	Black
L	Blue
E	Red
W	White
Y	Yellow
N	Green
S	Green-Yellow

# Heat Shrink Sleeves

## HCL Line

### Heat-shrinkable cable-end sealing caps for low voltage.

Heat-shrinkable cable-end caps seal ends from ingress of water. End caps are made of heavy walled cross-linked polyethylene and are resistant to action of weathering. The caps are supplied coated with a hot melt adhesive.



Dimensions (mm)							
REFERENCE FCI	A Exp. Min.	A Rec. Max.	B Exp. Min.	C Exp. Min.	D Exp. Min.	LC%	WALL REC NOM
HCL2E1B2A	12	4,5	50	45	15	±10	1,2
HCL3E1B2A	20	9	65	60	20	±10	3,0
HCL3E2B2A	20	9	125	110	20	±10	3,0
HCL4E1B2A	35	16	90	80	30	±10	3,0
HCL4E2B2A	35	16	150	140	30	±10	3,0
HCL6E1B2A	55	25	110	88	35	±10	4,0
HCL6E2B2A	55	25	165	155	50	±10	4,0
HCL8E1B2A	75	34	120	105	50	±10	4,2
HCL8E2B2A	75	34	200	175	70	±10	4,2
HCL11E1B2A	100	59	130	110	70	±10	4,2
HCL11E2B2A	100	59	225	190	70	±10	4,2
HCL12E1B2A	115	59	140	110	70	±10	4,2
HCL15E1B2A	145	71	155	120	70	±10	4,2

Colour: Black

Dimension in table are as follows:

EXP- as supplied

REC- after free recovery

LC- longitudinal change

A- internal diameter

Valved caps can also be supplied on request

Caps can also be supplied with black mastic coating on request

# Tooling

## Compression tooling for Cu and Alu connectors

FCI / BURNDY's total compression program offers the most complete line of:

- Mechanical cutters and compression handtools.
- Self contained and remote controlled hydraulic tools.
- Power actuated pumps, hoses, control gages and accessories
- And ... most probably, the widest range of compression dies for the electrical industry.

All these tools have been designed to integrate with the complete line of FCI / BURNDY's electrical compression connectors.

- Repair and service centers exist in all major countries.
- Tool parts, repair kits and control gages are available.
- We recommend only FCI / BURNDY connectors be installed with FCI / BURNDY compression tooling.



## Mechanical cable cutters

For conductor ranges till 800 mm<sup>2</sup>.

### MRCC34

- Hand cable cutter for COPPER, ALUMINIUM - max. 240 mm<sup>2</sup> + TELEPHONE cable.
- Max Ø: 34 mm.
- **Attention:** does not cut: hard drawn copper, alu-alloy and steel cable.
- Reserve blades: MRCC34 BLADES

### MRCC45

- Hand cable cutter for COPPER, ALUMINIUM - max. 400 mm<sup>2</sup> + TELEPHONE cable.
- Max Ø: 45 mm.
- **Attention:** does not cut: hard drawn copper, alu-alloy and steel cable.
- Reserve blades: MRCC45 BLADES



### MRCC62

- Hand cable cutter for COPPER, ALUMINIUM - max. 800 mm<sup>2</sup> + TELEPHONE cable.
- Max Ø: 62 mm.
- **Attention:** does not cut: hard drawn copper, alu-alloy and steel cable.
- Reserve blades: MRCC62 BLADES



## Battery Powered Hydraulic cutter

### BATCUT14V250V

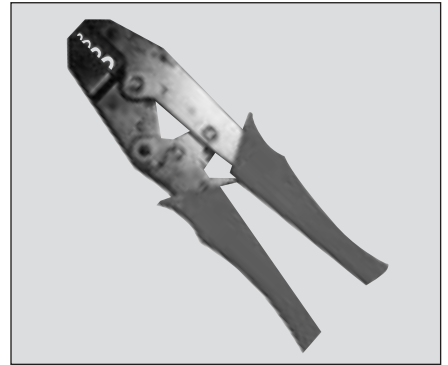
- 14V battery operated hydraulic cutter.
- Output force 65 kN.
- Open C-head design.
- For bare CU7AAC/AAAC/ACSR cable with Ø 30 mm, steel core 9 mm max.
- 360 rotating head.
- Length: 475mm.
- Weight: 6,070 kg.
- Supplied in steel case with two 14Vdc-2Ah batteries and one rapid 250Vac/14Vdc charger.



## Mechanical tools

### 1 Y10R4BY9

- For non-insulated terminals and splices.
- Wires size 1 - 2,5 - 6 - 10 mm<sup>2</sup>.
- Handtool with ratchet control.



### 2 MR16H3

- For non insulated terminals and splices.
- Wires size 6 - 10 - 16 mm<sup>2</sup>.
- Handtool with ratchet control.



### 3 MR25H3

- For non insulated terminals and splices.
- Wires size 10 - 16 - 25 mm<sup>2</sup>.
- Weight: 0,7 Kg.
- Handtool with ratchet control.



## MR8 - type handtools

### Description

- High strength aluminium-alloy body.
- Long life expectancy with fully protected ratchet mechanism.
- Weight 650 gr.

### 4A MR8 9Q

- For non insulated terminals and splices.
- Wire size 1 - 2,5 - 6 -10 mm<sup>2</sup>.

### 4B MR8 GE3

- For polyamide insulated terminals and splices type YAE, YSE.
- Wire size 1 - 2,5 - 6 mm<sup>2</sup>.



## Mechanical tools

### 5A MR4CQ

- For non insulated terminals and splices.
- Wires size 10 - 16 - 25 mm<sup>2</sup>.
- Weight: 1 Kg.
- Handtool with cam-ratchet control.



### 5B MR410M

- For polyamide insulated terminals and splices.
- Wires size 10 - 16 mm<sup>2</sup>.
- Weight: 1 Kg.
- Handtool with cam-ratchet control.

### 6 MY70M

Force 28 kN  
6-70 mm<sup>2</sup>

- Weight: 2 Kg.
- A lightweight toggle linear action, single stroke low cost handtool for non-insulated copper terminals and splices.

### 7 MY70ME

Force 28 kN  
10-70 mm<sup>2</sup>

- Weight: 2 Kg.
- Similar tool mechanism, for polyamide insulated copper terminals and splices.



### 8 MY2913GE2

Force 40 kN  
10-120 mm<sup>2</sup>

- Weight: 3,7 Kg.
- A lightweight toggle action two-hand operated, low cost handtool for non-insulated copper terminals and splices.



### 9 MY29B11 (UK)

- Similar as MY2913GE2 For UK.

### 10 MY286

10-95 mm<sup>2</sup>

- Similar tool mechanism as MY2913GE2, for polyamide insulated copper terminals and splices

### 11 MY293

10-95 mm<sup>2</sup> Aluminium

- Similar tool mechanism as MY2913GE2, for aluminium terminals and splices.

## Mechanical handtools with replaceable die-sets

### 12 MRD26T

Force 20 kN

6-50 mm<sup>2</sup>

- Weight: 1,5 Kg.
- A linear action highly professional handtool multi-stroke, incorporating a system of easily interchangeable dies and indentors.
- **20-dies** for copper: DIN 46235 terminals - DIN 46267/t1 splices.
- Steel case (not incl.) CP20

### 13 MRD26T1

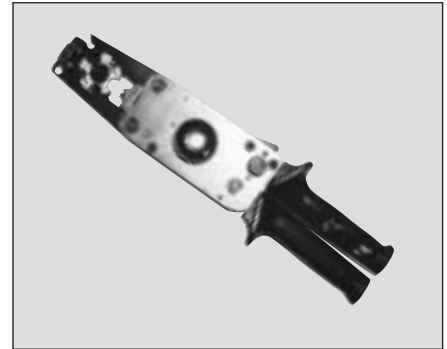
10-50 mm<sup>2</sup>

- Fix rotary die 5 pos. and indenter for copper YAV terminals YSM/YSM splices

### 14 MRD26T2

6-35 mm<sup>2</sup>

- Fix rotary die 5 pos. and indenter for copper DIN 46234-BY terminals.

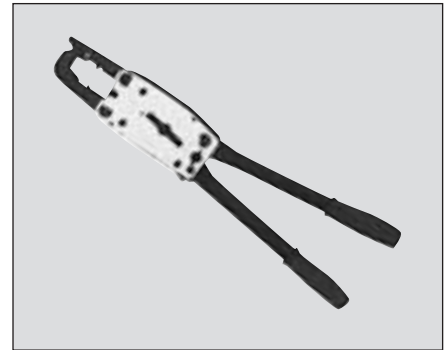


### 15 MRD29

Force 50 kN

6-120 mm<sup>2</sup> Cu

- A ratchet controlled two-hand operated highly professional tool incorporating a system of easily interchangeable dies.
- **50-dies**, indenter-nest and hexagonal for many types of compression connectors.
- Steel case (not incl.) - CP50



### 16 MD50

- 6 - 50 mm<sup>2</sup> Cu.
- For YAV\_DM line.
- The MD50 Mechanical Rotating Crimp Tool will accommodate copper compression connectors from 6 to 50 mm<sup>2</sup> str. copper conductor. Butting steel jaw and over center cam action assure full crimp force.
- Rotatable die wheel is stamped with the conductor size to provide an easy match of the die and the connector.

### 17 MD50D

- 6 - 50 mm<sup>2</sup> Cu.
- For YCA line.

### 18 MD50C

- 6 - 50 mm<sup>2</sup> Cu.
- For CTCU line.
- NFC20130 hexagone

### 19 MD50V

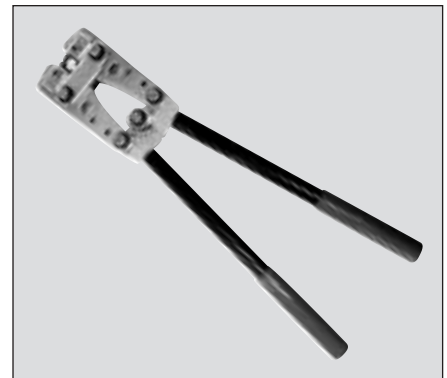
- 6 - 50 mm<sup>2</sup> Cu.
- For YAV line.

### 20 MD120

- 16 - 120 mm<sup>2</sup> Cu.
- For YAV\_DM line.

### 21 MD120D

- 16 - 120 mm<sup>2</sup> Cu.
- For YCA line - DIN 46285.



### MD6

Force 40 kN

10-95 mm<sup>2</sup> Cu-Al terminals

- Weight: 2,7 Kg.
- Lightweight, dependable, bent wooden handled tools.
- Replaceable W-dies for aluminium and copper terminals (as BCT500 and Y500CT) from 10 to 95 mm<sup>2</sup>.
- Steel case (not incl.) PT4953-1 for MD6.





## Mechanical and pneumatic tools

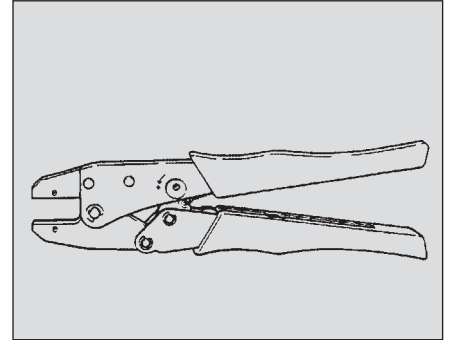
### ② Universal compression system with replaceable die-sets

#### Y16R FRAME

- Ratchet controlled handtool. Weight: 500 gr.

#### Y16R BOX

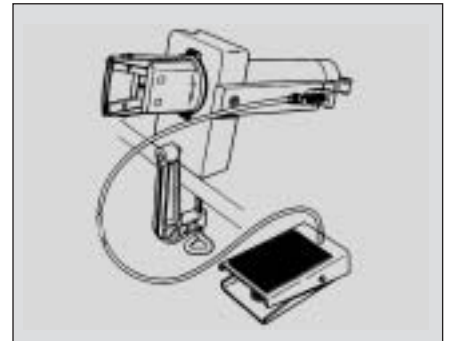
- Plastic case for handtool and 12 dies.



## Pneumatic tool

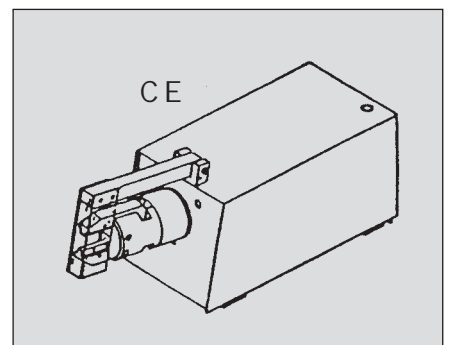
#### PHSE2

- Pneumatic tool with air cylinder.
- 4 bar.
- Controlled compression
- Mounting stand with footpedal.
- Weight: 1450 gr.



#### PHSE3

- Pneumatic compression unit: 4 bar.
- Mounting stand with footpedal
- Controlled compression
- Weight: 7600 gr.



## Die sets for non insulated terminals and splices

#### Y16R3G06YAV

- Wire size 1 - 2,5 - 6 mm<sup>2</sup>.

#### Y16R4H06YAV

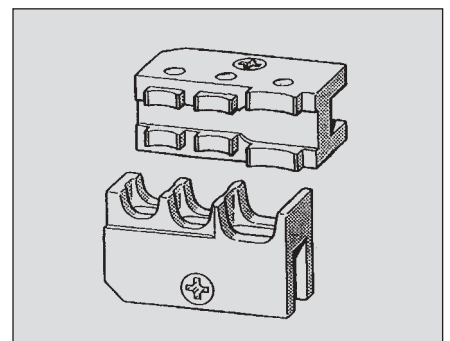
- Wire size 1 - 2,5 - 4 - 6 mm<sup>2</sup>.
- Hexagonal compression.

#### Y16R1G10YAV

- Wire size 10 mm<sup>2</sup>.

#### Y16R1G16YAV

- Wire size 16 mm<sup>2</sup>.



# Tooling

## Hydraulic installation tooling

FCI-Burndy offers a wide range of hydraulic cutting and compression tooling with a fully selection of nest-indentor, hexagonal and round compression dies for all possible requirements.

### General characteristics

- FCI-Burndy's standard hydraulic systems work at high pressure = 700 bars.
- FCI-Burndy's standard coupling systems are: 3/8" NPT-MALE quick coupler on compression heads.  
3/8" NPT-FEMALE quick coupler on pumps

But... on request we supply other styles and combinations

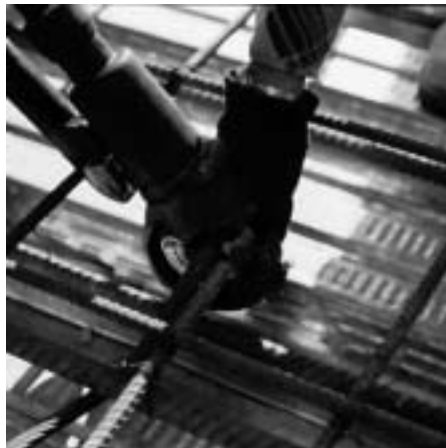
- FCI-Burndy's HYFLUID is used for its hydraulic handtools.
- ALFLUID is used for its pumps and hoses. In case not available, use hydraulic oil - SHELL TELLUS T15 or equivalent.

### Daily Service and maintenance

Take care of your hydraulic tools and many accidents will be avoided. It is imperative to regularly clean your tools with a dry cloth in order to remove moisture, dust, oil, etc.

NOTE:

- Never use the following products to clean your tools...
  - Trichlorethylene
  - Perchloroethylene
  - Chlorothene
- Always check the oil level in your hydraulic equipment.
- Always replace the flexible hose correctly in its compartment and avoid kinking. Remember, a leaky hose can cause serious accidents.
- Be sure that couplers are fully connected before activating pump.
- Do not forget that these tools operate at 700 bars. Try to avoid temporary repairs. It is much better to return your tools to our service department for repair where skilled engineers, using specialised control equipment, can guarantee a first class repair.



### Burndy recommends

- Yearly control of all hydraulic tools and pumps with control gages.
- Replacement of sealing rings with any repair.
- Change of oil with any repair.
- Replacement of oil, seals and working parts every three years.
- Replacement of tool and pump by new one after 10 years.

### Tool performance check-up

Special measuring equipment is available, upon request, to check the performance of all tools to within recommended limits.

## Hydraulic tools with interchangeable die-sets

### Y500CT

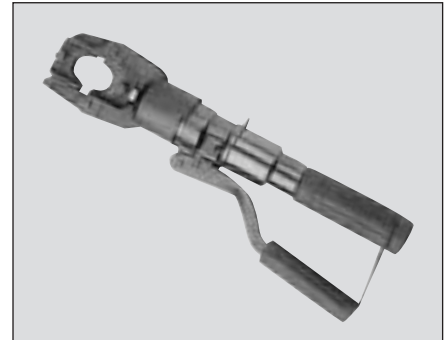
10-150 mm<sup>2</sup> Cu-Al

- Crimp Force: 55 kN.
- Length: 383 mm
- Weight: 2,7 Kg

The 5,4-Ton Hand Operated Hydraulic Crimp Tool's compact lightweight design provides easy ram advance and retract operation. The Y500CT crimps taps, terminals, and splices 10-150 mm<sup>2</sup>, featuring an integral 180

rotatable latch head design affording greater clearance, accommodating tight areas, and has a permanent "D3" die groove that also serves as a seat for all "W" style dies. The W dies are interchangeable, matching the connectors, feature die index and die number for ease of installation, and inspectability.

Each Y500CT is supplied with a durable metal carrying case.



### Y35 - 10-300 mm<sup>2</sup> Cu-Al

- 700 bar hand compressor - 120 kN.
- Weight: 6 Kg
- Length: 575 mm

The Y35 HYPRESS is a compact portable self-contained hydraulic hand compressor that can install the same range of connectors as the Y35BH compression head (i.e. 10 to 300 mm<sup>2</sup>), with only 3 indentors and 12 U nest dies (Cu connectors).

- Rapid ram advance - swivel G head.
- Positive push button die locks.
- Positive crimping by butting of most of the dies, under the control of a factory calibrated overload valve.
- A comprehensive range of hexagonal and circular crimp die sets is available to install a large number of connectors: please consult.
- The Y35 is supplied in a steel carrying case which has integral die storage compartment (no die)
- Y352 has a neoprene insulated head: please consult.
- Y35NC: hand tool without steel case.

### Y750 - 10-300 mm<sup>2</sup> Cu-Al

- 700 bar hand compressor - 120 kN.
- Weight: 7,3 Kg
- Length: 650 mm

### Y35BH - 10-300 mm<sup>2</sup> Cu-Al

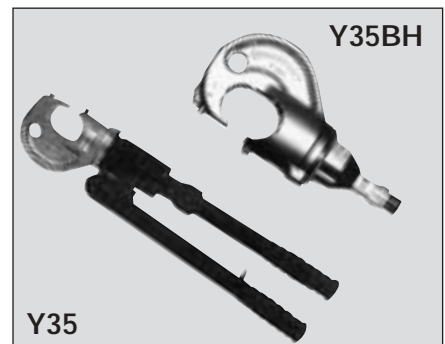
- 700 bar compression head - 120 kN.
- Weight: 3 Kg
- Length: 240 mm

The Y35BH HYPRESS is a "C" shaped compression head that accepts a range of interchangeable U dies and is suitable for installing connectors on conductors 10 to 300 mm<sup>2</sup>, using same nest dies and indentors as Y35.

- Positive push button die locks.
- A comprehensive range of hexagonal and circular crimp die sets is available to install a large number of connectors: please consult.
- Quick disconnect coupler 3/8" NPT male as standard for connection to 700 bars pumps. Other couplers available: please consult.
- The Y35BH is supplied in steel carrying case.
- Y35BH2 has a neoprene insulated head: please consult.
- Y35BHNC: head without steel case.

### Y750BH - 10-300 mm<sup>2</sup> Cu-Al

- 700 bar hand compressor - 120 kN.
- Weight: 4,6 Kg
- Length: 304 mm



### Y39E1E

- 16-240 mm<sup>2</sup> Alu-Bimetallic Terminals and splices.
- 6-300 mm<sup>2</sup> Copper Terminals and splices.
- Hand operated tool - output Force 120 kN.
- 180° rotating head.
- Length: 595 mm
- Weight: 5,7 Kg
- Supplied in steel case with dieset compartments

### Y39E1BHE

- 16-240 mm<sup>2</sup> Alu-Bimetallic Terminals and splices.
- 6-300 mm<sup>2</sup> Copper Terminals and splices.
- Remote operated head.
- 700 bar system - output Force 120 kN.
- 180° rotating head.
- Length: 260 mm
- Weight: 3 Kg
- Supplied in steel case with dieset compartments



# Tooling

## Hydraulic tools dieless

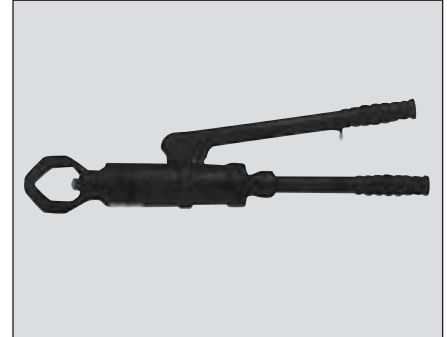
### DIELESS HYPRESS™

#### Y644M- 16-500 mm<sup>2</sup> Cu-Al

- 600 bar hand compressor - 100 kN.
- Weight: 6,8 Kg
- Length: 645 mm

The Y644M is a unique portable hydraulic hand compressor. Without needing replaceable die-sets, one can compress INDUSTRIAL type of copper and aluminium terminals and splices from 16-500 mm<sup>2</sup>.

- One indent compression - positive identification with Burndy logo on indenter.
- Infinitely rotatable head - pivoting die nest.
- Two speed rapid advance - twist release.
- Rubber covers over pump body and handles.
- The Y644M is supplied in a steel carrying case.



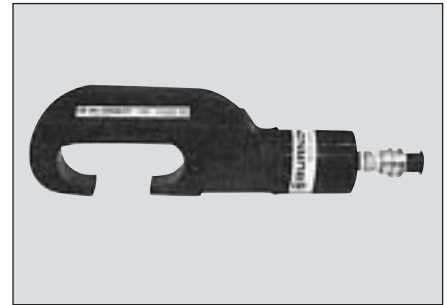
## Hydraulic tools with interchangeable die-sets

#### Y46 - 10-800 mm<sup>2</sup> Cu 10-500 mm<sup>2</sup> Al

- 700 bar compression head.
- Force: 136 kN
- Weight: 7,3 Kg
- Length: 381 mm

- Compact G-shaped head with jaw opening of 50,8 mm that accepts a range of interchangeable P-dies which are positively locked with push button die locks.

- Excellent for grounding applications
- The Y46 is supplied in steel case.
- Takes U - dies with adaptor PUADP1 (6 - 300 mm<sup>2</sup>).



#### Y22BH (UK)

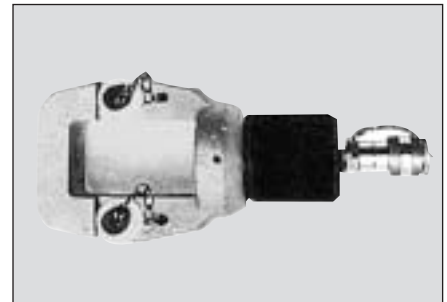
##### 150-1000 mm<sup>2</sup> Cu-Al (Str.)

##### 150-1200 mm<sup>2</sup> Al solid

- 700 bar compression head - 220 kN.
- Weight: 7,5 Kg
- Length: 350 mm

- The Y22BH HYPRESS compression head has a top bridge die holder which is locked by two retention pins. When one of these pins is removed, the top bridge can pivot open to allow the head to be located onto, or removed from the connector.

- Quick disconnect coupler 3/8" NPT male as standard, ref. Y22BH. With female coupler, ref. is Y22BHF. Other couplers available: please consult.
- Takes UK-styles ED - dies.
- Takes U - dies with adaptor 22UADP (10 - 300 mm<sup>2</sup>).



#### Y260DBHM - 10-630 mm<sup>2</sup> Cu-Al

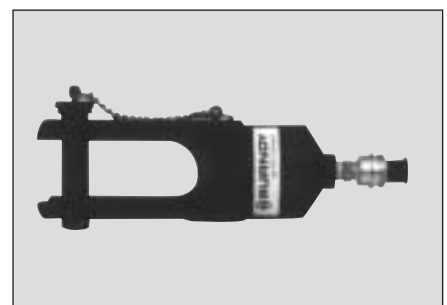
- 700 bar compression head - 260 kN.
- Weight: 5,4 Kg
- Length: 295 mm

The Y260DBHM HYPRESS features:

- U fork with rigid uprights and 25 mm dia. slide bolt which eases the installation of 60 mm outside diameter interchangeable dies: when drawn in open position it allows the presshead to be located onto, or removed from the connector.
- Quick disconnect coupler 3/8" NPT male as standard, for connection to flexible hoses. Other couplers available: Please consult.
- Takes DIN 48083 - t3 - 30H, 60 mm dies.
- Takes U - dies with adaptor 26UADP (6 - 300 mm<sup>2</sup>).

#### Y450DBHM up to 1000 mm<sup>2</sup> Cu-Al

- 700 bar compression head - Force 450 kN.
- Weight: 11 Kg
- Length: 285 mm
- Takes DIN 48083/t3/-45H. 75 mm dies.
- Takes U - dies with adaptor 45UADP (6 - 300 mm<sup>2</sup>).



# Tooling

## Battery powered hydraulic batools™

### BCT500250V 10-150 mm<sup>2</sup>

- Crimp Force: 55KN.
- Tool Weight: 5,4 Kg
- Length: 34 cm
- Weight: 7,9 Kg
- Recharge Time: <15 mins.

Hand held battery actuated hydraulic tool crimps splices, taps, and terminations 10 - 150 mm<sup>2</sup>. The tool features an integral 180 deg. rotatable latch head design that

accommodates "W" and "W-VT" dies. The BCT500 uses an industry standard battery pack, and less than 15 min. recharge time. The BCT500 will accommodate all "W", and "X" style dies.



### BAT3514V250V 10-300 mm<sup>2</sup>

- Crimp Force: 112KN.
- Tool Weight: 6,6 Kg
- Length: 36,83 cm
- Weight: 8,9 Kg
- Height: 35,3 cm
- Recharge Time: <15 mins.

Hand held hydraulic tool crimps splices, taps, and terminations 10 - 300 mm<sup>2</sup>. The BAT35 features, a wider crimp range than the

BCT500 tools, Burndy's patented, full 360 deg. infinitely rotatable head design, for operation in any position. The tool ships with charger, 2 batteries that will recharge in 15 min. or less, and a durable metal case. An audible "pop-off" and green LED indicate properly completed crimps. The BAT35 accommodates all "U" style dies.



### BAT75014V250V 10-800 mm<sup>2</sup>

- Crimp Force: 112KN.
- Length: 38,1 cm
- Weight: 7,94 Kg
- Molded rubber, fully covered head and boot

Hand held hydraulic tool crimps splices, taps, and terminations 10 - 800 mm<sup>2</sup>. The BAT750C features, a fully covered head, the largest crimp range of all Burndy's

BATOOLS™, a patented full 360 deg. infinitely rotatable head design, for operation in any position. The tool ships with 2 batteries that will recharge in 15 min. or less, and a durable metal case. An audible "pop-off" and green LED indicate properly completed crimps. The BAT750C accommodates all "U" style dies.



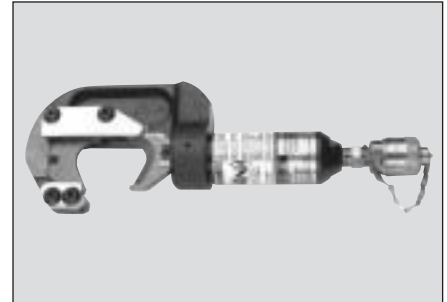
# Tooling

## Hydraulic Cable Cutters

### HCC10ACSR

- 700 bar - Presshead style.
- Weight: 3,2 Kg
- Length: 355 mm
- Cutting capacity dia: Cu-Alu - 500 mm<sup>2</sup> - non insulated.
- Total cable dia: 30 mm.
- H.D. Cu.
- AAC - AAAC - ACSR
- EHS-Galv. steel: 5/16" - 9 mm.
- Copperweld: 4/0 - 0,6" (15 mm).

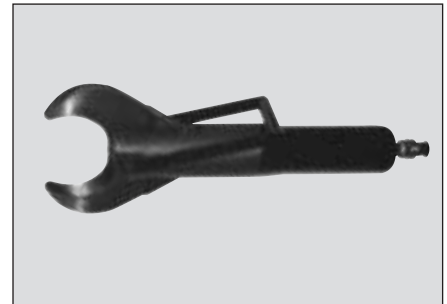
- Linear action cutter head.
- Hook-head design simplifies cutting of conductors hot or re-energized.
- Design of blades assures clean cut cables.
- Quick disconnect coupler 3/8" NPT male as standard, for connection to flexible hoses.
- Reserve blades - BLADEACSRKIT.



### YCC120M

- 700 bar - Scissor style.
- Weight: 11 Kg
- Length: 570 mm
- Cutting capacity dia: Cu-1000 mm<sup>2</sup> - Alu-1200 mm<sup>2</sup> - insulated.
- Total cable dia: 100 mm.
- PVC, PE, XLPE, PILC, with or without mild steel armour straps.
- Scissor action cutter head

- Cuts insulated/uninsulated Al and Cu conductors of power and telecom cables in seconds. Blades may rotate 360 degrees about the jack, prior to cutting.
- Supplied with male quick disconnect coupler in a steel carrying case.
- Other couplers available: please consult.
- Attention: does not cut hard drawn copper, Alu-alloy or steel case.
- Reserve blades: YCC100MBLADES.



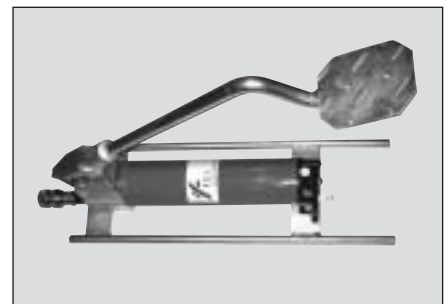
## Hydraulic Pumps-700 bars

### FOOT OPERATED

#### P703F

- 700 bar: standard/50 KJ output
- Weight: 12 Kg
- Length: 680 mm
- Necessary oil volume: 1 liter.
- The P700F is a DUAL STAGE foot pump with AUTOMATIC change over and safety valve producing quick ram advance.
- 3/8" NPT. FEMALE quick coupler as standard for connection to 700 bar pressheads.

- Std. flexible hose PT91 to be ordered separately.
- The P703F is supplied in steel carrying case CP2. The CP2 case can take compression head and flexible hose and is provided with die-compartment for U-dies.

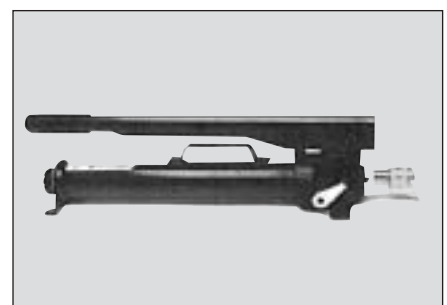


### HAND OPERATED

#### HP10

- 700 bar.
- Weight: 8,2 Kg
- Length: 630 mm
- Necessary oil volume: 1 liter.
- Easy to transport and move tool around work site with built in handle.

- 3/8" NPT. FEMALE quick coupler as standard for connection to 700 bar pressheads.



# Tooling

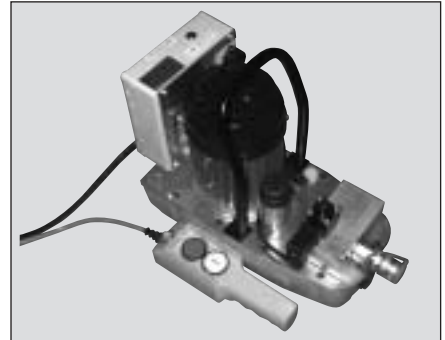
## Hydraulic pumps - 700 Bar

### ELECTRICAL OPERATED - 220 V

#### Y10EP2E3HF

CE

- 700 bar.
- Weight: 11 Kg
- Dimensions: 350 x 200 x 350 mm
- Oil reservoir: 1,5 liters.
- Fully cycled electrical driven - DUAL STAGE hydraulic pump; portable.
- Overload valve: 700 bar.
- Operates with 220 V. motor 0,6 kW
- 3/8 " NPT - FEMALE quick coupler (\*)



#### EPP102

- 700 bar.
- Weight: 14 Kg
- Dimensions: 470 x 300 x 445 mm
- Oil reservoir: 2 liters.
- Motor: 220 V, 1/2 HP, 50 cycles
- Remote pendant control switch
- 3/8 " NPT - FEMALE quick coupler (\*)



#### EP102

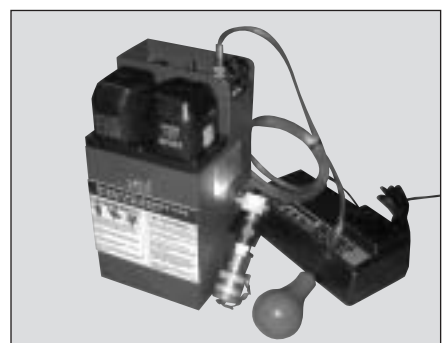
- 700 bar.
- Weight: 39 Kg
- Dimensions: 470 x 300 x 445 mm
- Oil reservoir: 7,5 liters.
- Motor: 220 V, 1/2 HP, 50 cycles
- Remote pendant control switch
- 3/8 " NPT - FEMALE quick coupler (\*)



### BATTERY POWERED HYDRAULIC

#### Y700DC1B250V

- 700 bar.
- Weight: 7 Kg (with fluid and two batteries)
- Dimensions: 292 x 209 x 165 mm
- Air bulb control for full safety
- Recharge time: <15 mins.
- 3/8 " NPT - FEMALE quick coupler (\*)



(\*) See "Tooling and diesets" catalog for all available coupling systems



# Tooling

## Hydraulic Tooling accessories

### NON-INSULATED HOSES - 700 BAR

#### PT91

- 2400 mm - STEEL BRAIDED hose steel reinforced ends - Black.
- Do not use on energised conductors.
- Quick couplers - 3/8 " NPT. - MALE/FEMALE
- Other lengths - Other coupling systems: please consult.

### NON-CONDUCTIVE HOSES - 700 BAR

#### PT29900-10

- 3000 mm - Non conductive hose with stackable couplers (male/female) - orange.

#### PT29900-15

- 4500 mm - Non conductive hose with stackable couplers (male/female) - orange.

#### PT29900-25

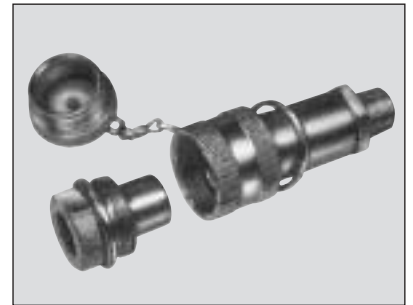
- 7600 mm - Non conductive hose with stackable couplers (male/female) - orange.



### REPLACEMENT COUPLERS - 700 BAR

#### PT94 (male)

#### PT93 (female)



### FORCE TEST GAUGE

#### PT 29279 - 2

The PT 29279-2 Force Test Gauge is designed to provide an accurate visual reading of the output force produced by the hand-hydraulic Y35, and other HYPRESS tools. It is not recommended for any remote powered HYPRESS heads such as the Y35BH.

The PT 29279-2 Force Test Gauge is a factory calibrated and inspected to very stringent tolerances providing the customer accuracy and an excellent means for quality assurance control.



### IN-LINE PRESSURE GAUGE - 700 BAR

#### PT11018



# Tooling

## Hydraulic Tool accessories

### HYDRAULIC OILS

- ALFLUID QT (0,95 l) - For hand - foot - electrical pumps
- ALFLUID GAL (3,8 l)
- HYFLUID QT (0,95 l) - For Y35 handtool
- HYFLUID GAL (3,8 l)

### PRESSURE TEE-REDUCER

- Y106PSI - 700 bar to 420 bar (10.000 PSI to 6.000 PSI)
- Y108PSI - 700 bar to 600 bar (10.000 PSI to 8.800 PSI)

### DIE CASE FOR U-DIES

- PT29291

### TOOL REPAIR KITS FOR Y35

- Y35 REP KIT E1 - sealing rings
- Y35 REP KIT E2 - mechanical parts
- Y35 REP KIT E - all parts + PTB2507E1
- PTB 2507E1 - overload valve
- Please consult FC - office or agent for other spare parts.



Albert Einstein, 5-7 (Pol. Ind. Sesrovires)  
08635 Sant Esteve Sesrovires  
(Barcelona)

Tel. (+34) 93 771 57 61  
Fax: (+34) 93 771 39 20

[www.sbiconnect.es](http://www.sbiconnect.es)  
E-mail: [info@sbiconnect.es](mailto:info@sbiconnect.es)